

# RECON



## Step & Wall Light



Recessed step/wall light with a screwless design faceplate made out of chrome-plated 316# stainless steel.

The faceplate securely clips into the housing without the use of screws.

Housing/mounting sleeve features metal brackets on the bottom preventing it from shifting while pouring the concrete. This allows for an easy installation.

IP65 Rated.

### SPECIFICATIONS



Smooth  
62LM



Stepped  
62LM



Stepped Large  
76LM

Input Voltage	24V DC / 120V
Wattage	3.3W/ 7W
Delivered Lumens	62LM - 76LM
CCT	2000K, 3000K, 4000K
Material	Die-cast powder coated aluminum
IK Rating	10
Dimming	Phase & 0-10v (100%-5%)
Lamp Life	50,000Hr
Environment	IP65 / cable gland IP67
Operating Temp	-4° F - 104° F



Dark Grey #7036



Silver Grey #9022



Black #9005

Ordering Code:

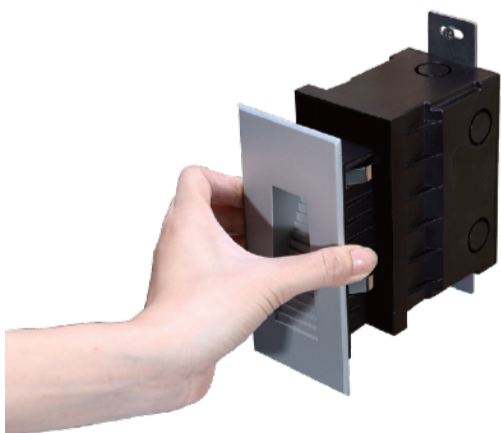
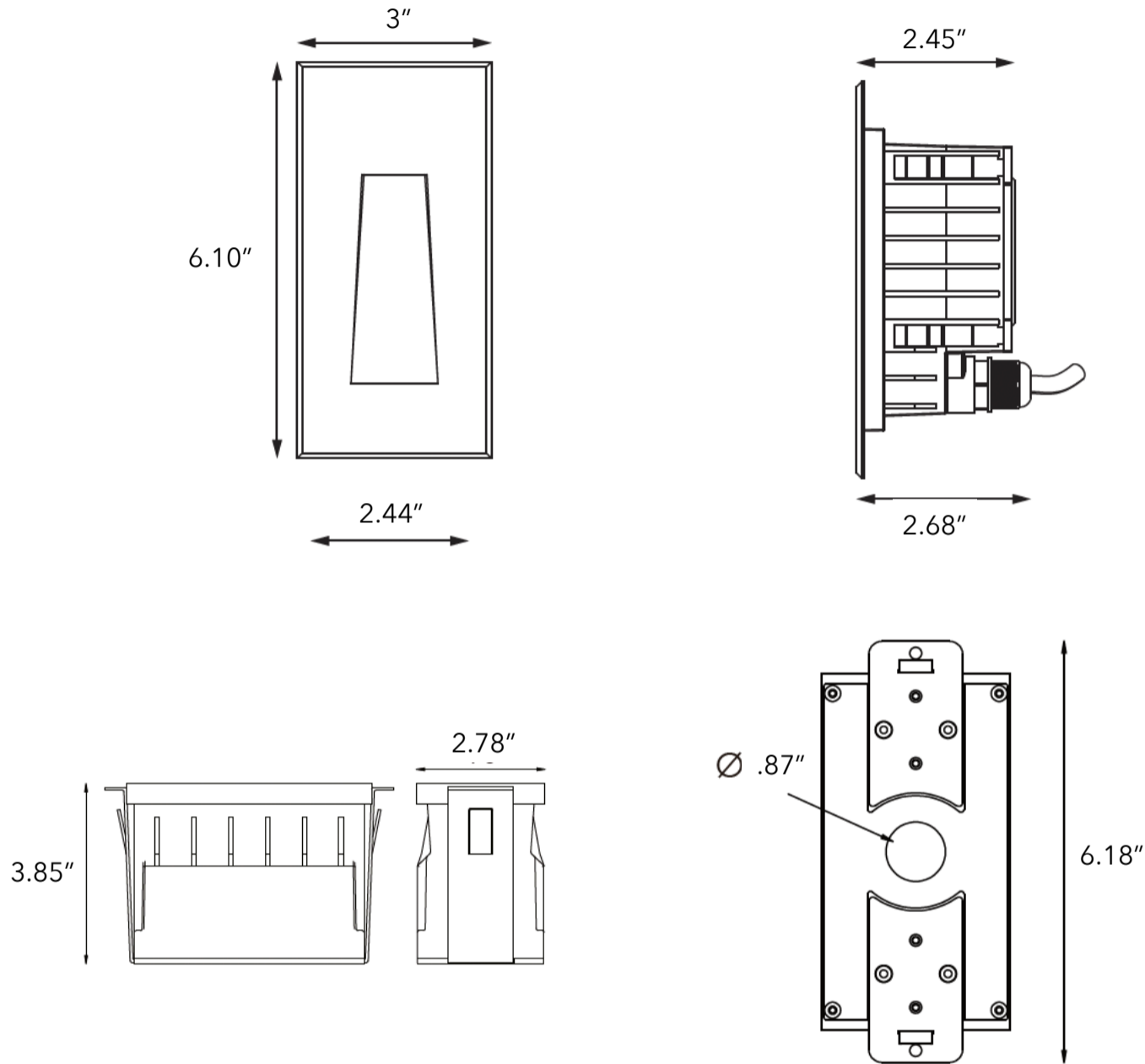
Series	Style	CCT	Finish	Dimming	Voltage
<b>RECON</b>	<b>SM</b> Smooth	<b>20K</b> 2000K	<b>BK</b> Black	<b>ELV</b> ELV/TRIAC Phase Cutting <b>D10</b> 0/1-10V <b>DAL</b> DALI-2	<b>24V</b> 24V DC <b>120V</b> 120V AC
	<b>ST</b> Stepped	<b>30K</b> 3000K	<b>DG</b> Dark Grey		
	<b>LG</b> Stepped Large	<b>40K</b> 4000K <b>60K</b> 6000K	<b>SG</b> Silver Grey		



# RECON



## MOUNTING SLEEVE



Clip in design



Mounting sleeve features bracket on bottom to prevent the housing from shifting while pouring the concrete.

