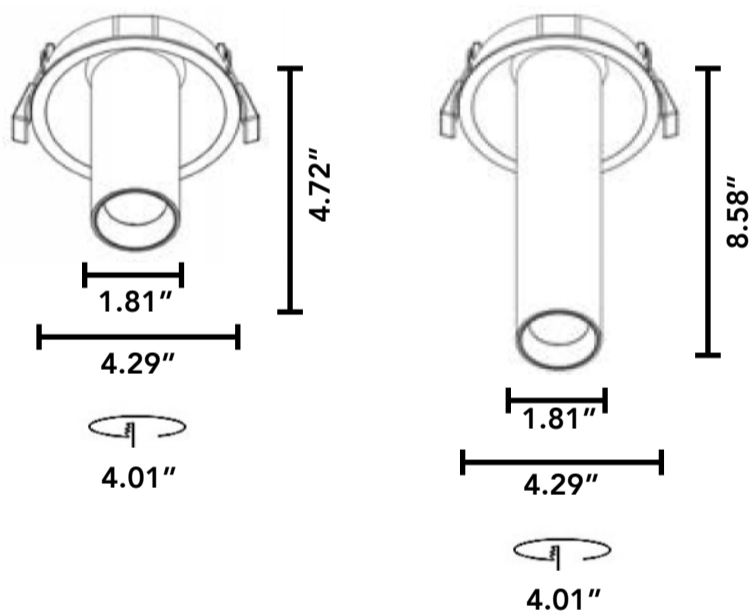


GOOSE



Taking it's name from it's long slender neck, Goose comes in an 8.5" neck and 4.75" neck. Offered in a 0°-45° vertical aiming tilt and 0-355° rotation. Standard CCTs 27K, 30K, 40K, 50K, 60K
Black and White finish
Beam angles from 15°, 24°, 36°

SPECIFICATIONS



Input Voltage	100-277V AC
Wattage	6W
Delivered Lumens	563Lm +/-5%
LED	<3-Step MacAdam Ellipse (2-Step Available)
CCT	27K, 30K, 35K, 40K, D2W, TW
CRI	>90Ra
Beam Angle	15°/24°/36°
Adjustability	Max Tilt Angle 45° / Horizontal Rotation Angle 355°
Dimming	Trimode Dimming / Triac / 0-10V (100%-1%)
Lamp Life	50,000Hr
Environment	IP20
Operating Temp	-4° F - 104° F

Ordering Code:

Series	Size	Trim	Wattage	CCT	Optic	Finish	Reflector	Installation Type	Driver
GOS	4 4.72"	T Trimmed	6W 563 Lm	27K 2700K	15 15 degree	WH White	W White	NC New Construction	ELV ELV/TRIAC Phase Cutting 3%
	8 8.58"	L Trimless		30K 3000K					
				35K 3500K	36 36 degree			CP* Chicago Plenum	DAL DALI-2 Dim to off 0.1%
				40K 4000K					L01 Lutron Hi-Lume 2-wire 1%
				WD Warm Dim				<i>* IC/CP available Q3 2023</i>	P01 Premium Driver 0.1% LOG
				TW Tunable White					

Emergency	
EM4	4 watts / 90 mins
EM10	10 watts / 90 mins

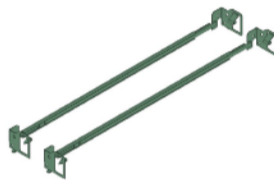
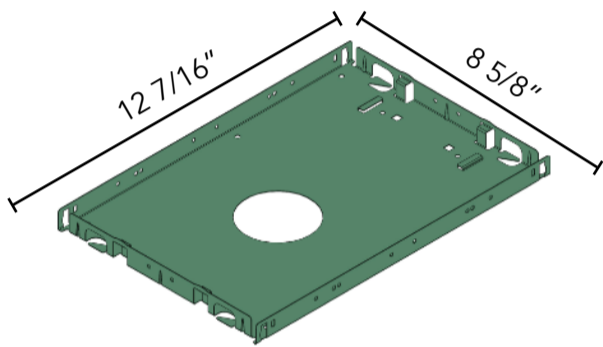


GOOSE

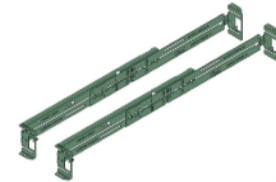


Mounting Options

NC - New Construction Frame-In Tray



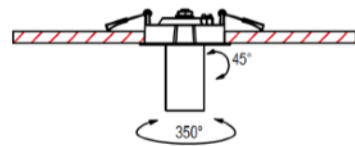
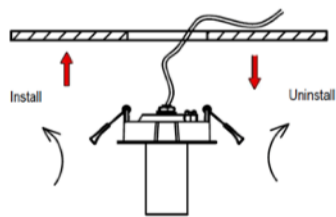
Standard bar hanger (included)
Mounting Length 14 3/4" - 26"
Extension kit can be ordered separately.



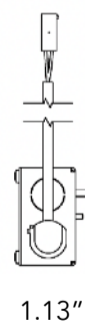
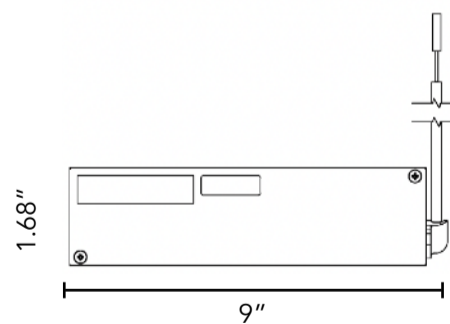
Commercial bar hanger #1487
Butterfly and Caterpillar brackets available



New Construction/Remodel Mounting



LED Driver Enclosure and Junction Box



GOOSE



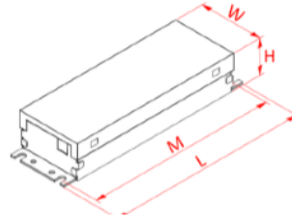
Emergency Backup

Primary Specifications:

Output Power Max	Input Power	Input Current Max	Emergency Operating Time	Battery	Input Voltage	Output Voltage	Ambient Operating Temperature	UL Listed for US and Canada
4 W	4 W	60 mA	90 min.	LiFePO ₄ 24 Hour recharge 7 to 10 year Life expectancy	120-277 Vac 50/60Hz	12-55 V ¹	0 °C through 55 °C	UL and cUL (UL924) Emergency LED Driver

Dimensions / Weight

Length	5.3"	Height	1.0"
Width	1.7"	Mounting Length	5.4"
Weight	0.66 lb		



REMOTE TEST SWITCH

The Remote Test Switch may be mounted adjacent to the LED Fixture by others.

EMERGENCY BATTERY ACCESS

Above ceiling access is recommended for ease of service, but LED Fixture Sizes of 4" and Larger are capable of below ceiling access. IC/ICAT/CP Box and ITS option require an access panel in the ceiling (or other form of access) adjacent to the installation location of the Emergency Battery.

REMOTE LOCATION

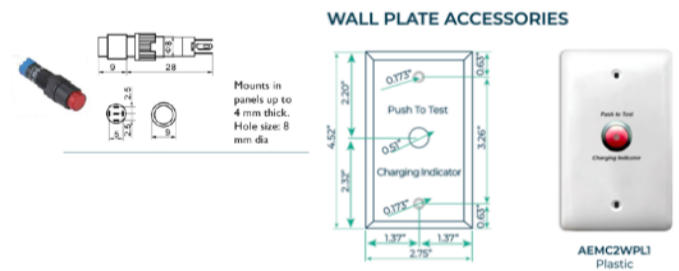
Maximum remote mounting distance of the emergency driver shall be 50 feet. Remote location wiring provided by others. Follow all Local and National Electric/ Building Codes.

Primary Specifications:

Output Power Max	Input Power	Input Current Max	Emergency Operating Time	Battery	Input Voltage	Output Voltage	Ambient Operating Temperature	UL Listed for US and Canada
4 W	4 W	60 mA	90 min.	LiFePO ₄ 24 Hour recharge 7 to 10 year Life expectancy	120-277 Vac 50/60Hz	12-55 V ¹	0 °C through 55 °C	UL and cUL (UL924) Emergency LED Driver

Dimensions / Weight

Length	5.3"	Height	1.0"
Width	1.7"	Mounting Length	5.4"
Weight	0.66 lb		



Primary Specifications:

Output Power Max	Input Power	Input Current Max	Emergency Operating Time	Battery	Input Voltage	Output Voltage	Ambient Operating Temperature	UL Listed for US and Canada
10 W	4 W	60 mA	90 min.	LiFePO ₄ 24 Hour recharge 7 to 10 year Life expectancy	120-277 Vac 50/60Hz	15-55 V ¹	0 °C through 55 °C	UL and cUL (UL924) Emergency LED Driver

Dimensions / Weight

Length	9.5"	Height	1.2"
Width	1.7"	Mounting Length	8.9"
Weight	2.09 lb		

