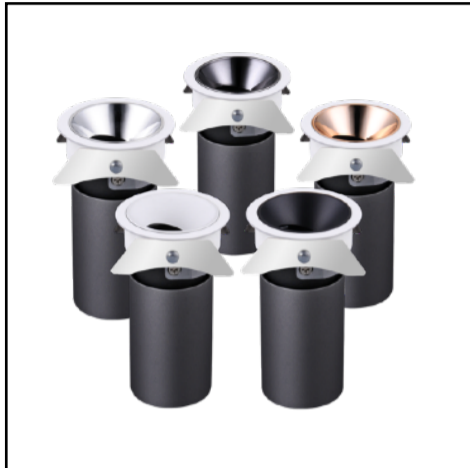




# 1.7" Downlight

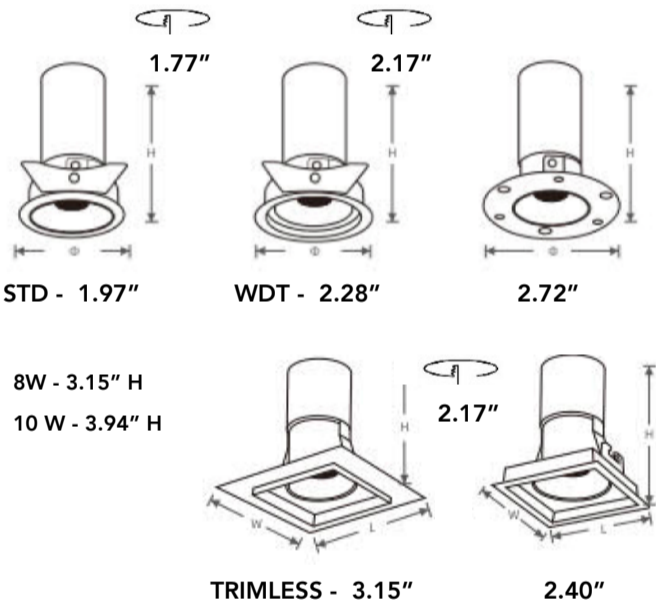


## FEATURES

- Modular design, field replaceable LED module, trim, beam lens, and accessories.
- Interchangeable secondary reflector options for glare control and maximum visual comfort.
- Quiet ceiling achieved through deep regress.
- Precise light control, 15°/24°/36°/50° TIR lens and Reflector lens options.
- Offered standard with flicker free dimming to 1% and premium, fade-to-off dimming (.5%), option available.

## SPECIFICATIONS

### M45



<b>Input Voltage</b>	100-277V AC
<b>Wattage</b>	8W / 10W
<b>Delivered Lumens</b>	450Lm - 860Lm
<b>LED</b>	<3-Step MacAdam Ellipse (2-Step Available)
<b>CCT</b>	27K, 30K, 35K, 40K
<b>CRI</b>	>90Ra
<b>Adjustability</b>	Max Tilt Angle 30° / Horizontal Rotation Angle 355°
<b>Lamp Life</b>	50,000Hr
<b>Environment</b>	IP20 & IP44
<b>Heat Sink</b>	Aluminum body with oxidized powder coating
<b>Trim</b>	Die-cast Aluminum
<b>Operating Temp</b>	-4° F - 104° F

## Ordering Code:

Series	Size	Trim			Power	CCT	Optic				Finish		Accessory Lens
		RD	SQ	Trim Option			Reflector Lens	OR	TIR Lens	Reflector	Trim		
Go2 Mini	M45 1.7"	RD	Round	STD Standard	8W 680Lm	27K 2700K	R15D	15 Degree	T15D	15 Degree	WH	White	HL No Lens (leave blank) LS Linear Spread
		SQ	Square	WDT Wide Trim			R24D	24 Degree	T24D	24 Degree	BL	Black	
				TL Trimless			R36D	36 Degree	T36D	36 Degree	SV	Silver	
							R50D	50 Degree	T50D	50 Degree	SP	Specular	
					10W 850Lm	30K 3000K	R24D	24 Degree	T24D	24 Degree	SB	Specular Black	
						35K 3500K	R36D	36 Degree	T36D	36 Degree	SG	Specular Gold	
						40K 4000K	R50D	50 Degree	T50D	50 Degree			

Consult factory for 2 and 3 head options

Environment	Dimming	Remote Driver	Housing	Emergency Backup
IP20 Dry	ELV Phase/Triac (3%)	# of fixtures per driver	NC New Construction Tray	EM4 4W / 90 Min
IP44 Wet	D10 0-10V (.1%)	01 1 x 1 1 fixture per driver	RM Remodel (no NC Tray)	EM10 10W / 90 Min
	P01 Premium Dim-to-off (.5%)	02 1 x 2 2 fixtures per driver		
		03 1 x 3 3 fixtures per driver		
		04 1 x 4 4 fixtures per driver		

Remote drivers require driver enclosures by others that meet local codes and must be located in an accessible service panel within 50 feet of the light fixtures.



**Go2** Mini

1.7" Downlight

**BINA** COMPANY

Trim Options

M45 Trim Example



Standard Trim



Wide Trim (WDT)



Standard



Trimless



Square



Trimless

**Go2** Mini

1.7" Downlight

**BINA** COMPANY**Reflector Options****Performance**

92 CRI / 3000K	15 Degree	24 Degree	36 Degree	50 Degree
<b>8W</b>	462Lm	515Lm	598Lm	473Lm
<b>10W</b>	777Lm	794Lm	854Lm	785Lm

Preliminary, pre-launch test-data. Delivered lumen values +/- 5%. Optical filters will reduce delivered lumen values

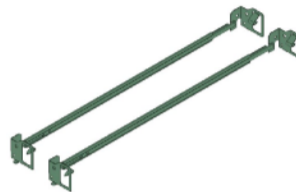
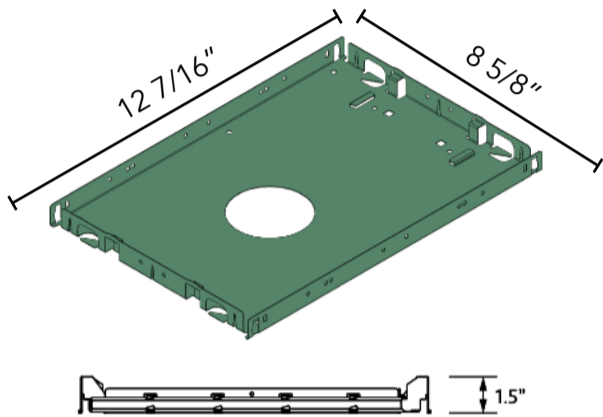


1.7" Downlight

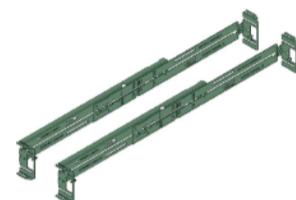


Mounting Options

NC - New Construction Mounting Tray



Standard bar hanger (included)  
Mounting Length 14 3/4" - 26".  
Extension kit can be ordered separately.

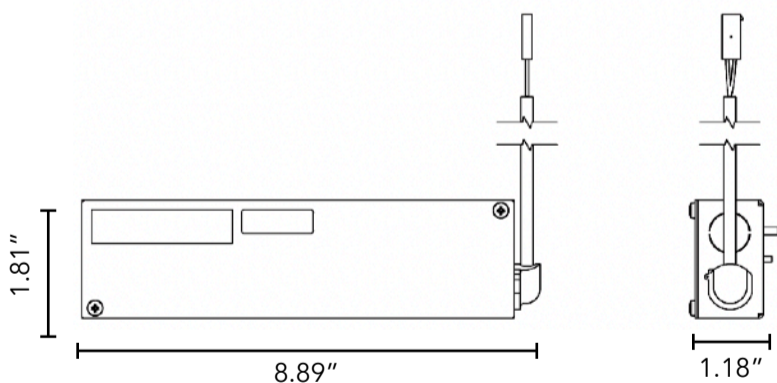


Commercial bar hanger #1487  
Butterfly and Caterpillar brackets available

New construction mounting tray can be punched with single opening or multiple openings. Please consult factory if you need a tray with multiple openings.



Remote Driver & Driver Box



Due to the small aperture size, all drivers will need to be remotely located within 50' of the fixtures and installed in a location that is accessible without the need for demolition. Each driver will ship in an individual driver enclosure box. However, it is not recommended to stack the driver boxes on top of each other as there is a potential for overheating.



# 1.7" Downlight



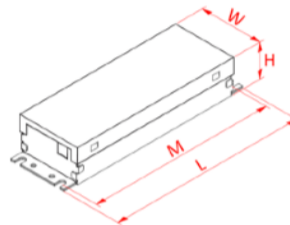
## Emergency

### Primary Specifications:

Output Power Max	Input Power	Input Current Max	Emergency Operating Time	Battery	Input Voltage	Output Voltage	Ambient Operating Temperature	UL Listed for US and Canada
4 W	4 W	60 mA	90 min.	LiFePO <sub>4</sub> 24 Hour recharge 7 to 10 year Life expectancy	120-277 Vac 50/60Hz	12-55 V <sup>1</sup>	0 °C through 55 °C	UL and cUL (UL924) Emergency LED Driver

### Dimensions / Weight

Length	5.3"	Height	1.0"
Width	1.7"	Mounting Length	5.4"
Weight	0.66 lb		



### REMOTE TEST SWITCH

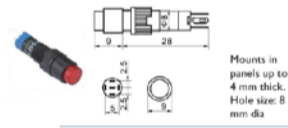
The Remote Test Switch may be mounted adjacent to the LED Fixture by others.

### EMERGENCY BATTERY ACCESS

Above ceiling access is recommended for ease of service, but LED Fixture Sizes of 4" and Larger are capable of below ceiling access. IC/ICAT/CP Box and ITS option require an access panel in the ceiling (or other form of access) adjacent to the installation location of the Emergency Battery.

### REMOTE LOCATION

Maximum remote mounting distance of the emergency driver shall be 50 feet. Remote location wiring provided by others. Follow all Local and National Electric/ Building Codes.



### WALL PLATE ACCESSORIES



### Primary Specifications:

Output Power Max	Input Power	Input Current Max	Emergency Operating Time	Battery	Input Voltage	Output Voltage	Ambient Operating Temperature	UL Listed for US and Canada
10 W	4 W	60 mA	90 min.	LiFePO <sub>4</sub> 24 Hour recharge 7 to 10 year Life expectancy	120-277 Vac 50/60Hz	15-55 V <sup>1</sup>	0 °C through 55 °C	UL and cUL (UL924) Emergency LED Driver

### Dimensions / Weight

Length	9.5"	Height	1.2"
Width	1.7"	Mounting Length	8.9"
Weight	2.09 lb		

