



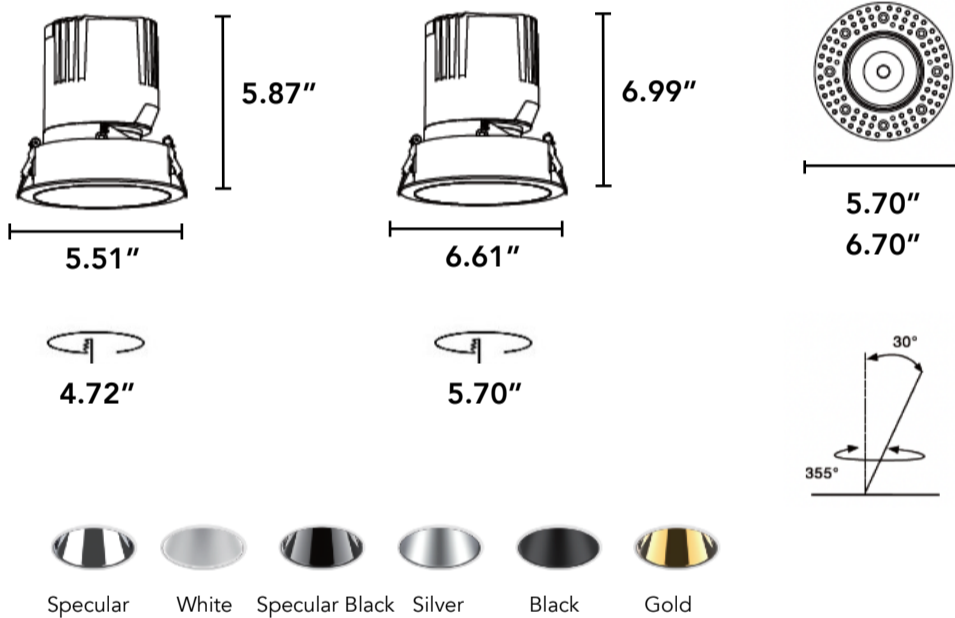
5" & 6" Round Downlight



FEATURES

- Modular design, field replaceable LED module, trim, beam lens and accessories.
- Interchangeable secondary reflector options for glare control and maximum visual comfort.
- Quiet ceiling achieved through deep regress.
- Precise light control, 10°/15°/24°/38°/55° TIR lens beam options.
- Offered standard with flicker free dimming to 1% and fade-to-off dimming (.1%), option available.

SPECIFICATIONS



Input Voltage	100-277V AC
Wattage	30W, 35W, 50W, 55W
Delivered Lumens	2550-4675Lm +/-5%
LED	<3-Step MacAdam Ellipse (2-Step Available)
CCT	27K, 30K, 35K, 40K, D2W, TW
CRI	>90Ra
Beam Angle	TIR Lens 10°/15°/24°/36°/55°
Adjustability	Max Tilt Angle 30° / Horizontal Rotation Angle 355°
Dimming	Trimode Dimming / Triac / 0-10V (100%-1%)
Lamp Life	50,000Hr
Environment	IP20 & IP44
Operating Temp	-4° F - 104° F



Ordering Code:

Series	Trim		Power		CCT		Beam		Finish		Optical Filter	
									Baffle	Trim		
Go2LX	5RT	Round Trimmed	F - Fixed	30W	2460Lm	27K -	2700K	10D	10°	---	W - White	SF - Softening Lens
	5RL	Round Trimless	A - Adjustable	35W	2870Lm	30K -	3000K	15D	15°	SP - Specular	B - Black	HL - Honeycomb Louver
	6RT	Round Trimmed	W - Wall Wash	50W	4100Lm	35K -	3500K	24D	24°	WH - White	C - Custom	SO - Solite Lens
	6RL	Round Trimless		55W	4510Lm	40K -	4000K	38D	38°	SB - Specular Black		LS - Linear Spread Lens
						D2W	3000-1800K	55D	55°	SL - Silver		
						TW	4500-2700K			BK - Black		
										GD - Gold		

Installation Type		Driver		Emergency	
NC -	New Construction	ELV -	ELV/TRIAC Phase Cutting 3%	EM4 -	4 watts / 90 mins
IC -	Insulation Contact	D10 -	0/1-10V (100% - 1%)	EM10 -	10 watts / 90 mins
AT/CP -	Airtight	DAL -	DALI-2 Dim to off 0.1%		
WC	Wood Ceiling				

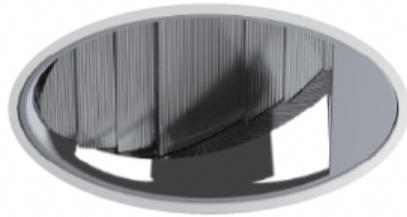




5" & 6" Round Downlight



Additional Views

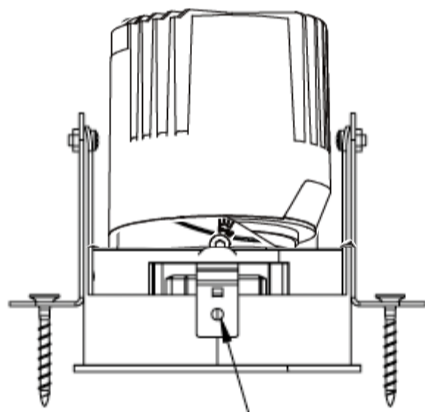


Polarized Wall Washer

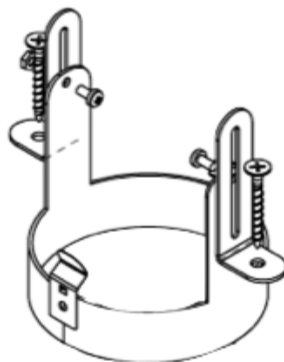


Trimless

Wood Ceiling Adapter



Spring welding



Adjustable

Optical Lens



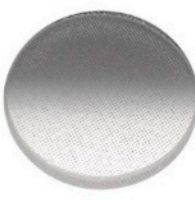
Softening (frosted filter)



Honeycomb



Linear Spread



Solite

LIGHT LOSS FACTOR	
Honeycomb Louver	0.55
Solite Filter	0.70
Frosted Filter	0.70
Linear Spread Filter	0.70



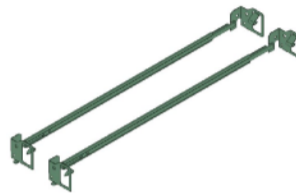
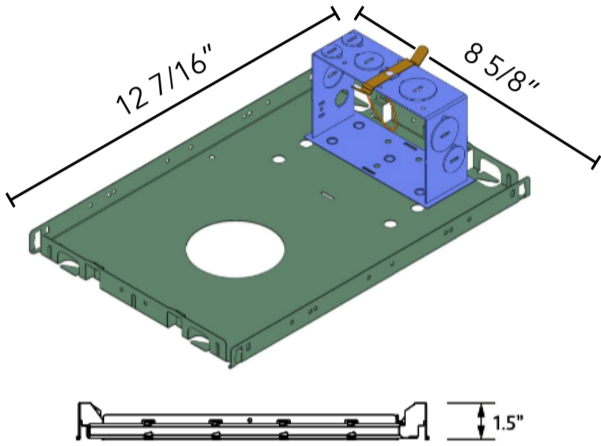


5" & 6" Round Downlight

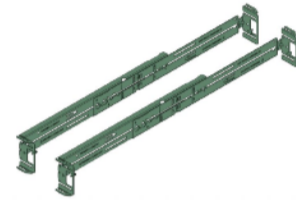


Mounting Options

NC - New Construction Frame-In Tray



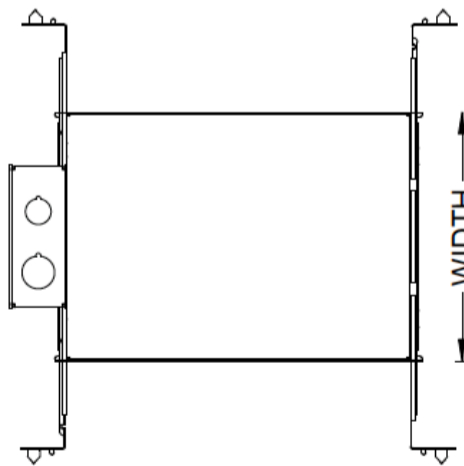
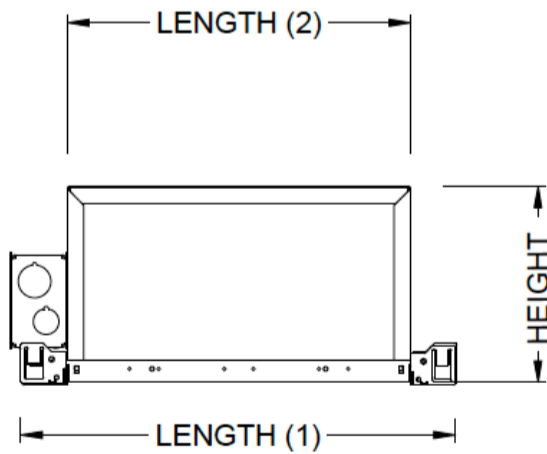
Standard bar hanger (included)
Mounting Length 14 3/4" - 26".
Extension kit can be ordered separately.



Commercial bar hanger #1487
Butterfly and Caterpillar brackets available



IC / Chicago Plenum / Airtight



Length	Width	Height
14 7/8"	12"	8 1/2"





5" & 6" Round Downlight



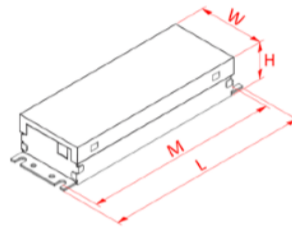
Emergency

Primary Specifications:

Output Power Max	Input Power	Input Current Max	Emergency Operating Time	Battery	Input Voltage	Output Voltage	Ambient Operating Temperature	UL Listed for US and Canada
4 W	4 W	60 mA	90 min.	LiFePO ₄ 24 Hour recharge 7 to 10 year Life expectancy	120-277 Vac 50/60Hz	12-55 V ¹	0 °C through 55 °C	UL and cUL (UL924) Emergency LED Driver

Dimensions / Weight

Length	5.3"	Height	1.0"
Width	1.7"	Mounting Length	5.4"
Weight	0.66 lb		



REMOTE TEST SWITCH

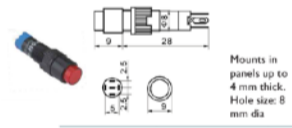
The Remote Test Switch may be mounted adjacent to the LED Fixture by others.

EMERGENCY BATTERY ACCESS

Above ceiling access is recommended for ease of service, but LED Fixture Sizes of 4" and Larger are capable of below ceiling access. IC/ICAT/CP Box and ITS option require an access panel in the ceiling (or other form of access) adjacent to the installation location of the Emergency Battery.

REMOTE LOCATION

Maximum remote mounting distance of the emergency driver shall be 50 feet. Remote location wiring provided by others. Follow all Local and National Electric/ Building Codes.



WALL PLATE ACCESSORIES



Primary Specifications:

Output Power Max	Input Power	Input Current Max	Emergency Operating Time	Battery	Input Voltage	Output Voltage	Ambient Operating Temperature	UL Listed for US and Canada
10 W	4 W	60 mA	90 min.	LiFePO ₄ 24 Hour recharge 7 to 10 year Life expectancy	120-277 Vac 50/60Hz	15-55 V ¹	0 °C through 55 °C	UL and cUL (UL924) Emergency LED Driver

Dimensions / Weight

Length	9.5"	Height	1.2"
Width	1.7"	Mounting Length	8.9"
Weight	2.09 lb		

