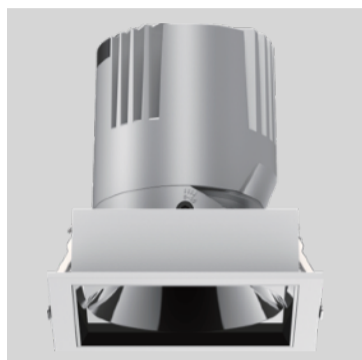




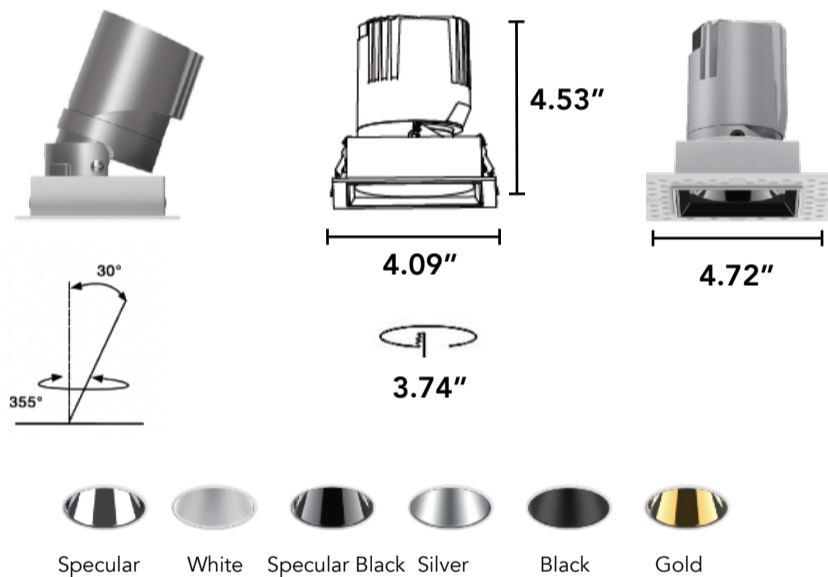
4" Square Downlight



FEATURES

- Modular design, field replaceable LED module, trim, beam lens and accessories.
- Interchangeable secondary reflector options for glare control and maximum visual comfort.
- Quiet ceiling achieved through deep regress.
- Precise light control, 15°/24°/38°/55° TIR lens beam options.
- Offered standard with flicker free dimming to 1% and premium, fade-to-off dimming (.1%), option available.

SPECIFICATIONS



Input Voltage	100-277V AC
Wattage	25W
Delivered Lumens	2125m +/-5%
LED	<3-Step MacAdam Ellipse (2-Step Available)
CCT	27K, 30K, 35K, 40K, D2W, TW
CRI	>90Ra
Beam Angle	TIR Lens 15°/24°/36°/55°
Adjustability	Max Tilt Angle 30° / Horizontal Rotation Angle 355°
Dimming	Trimode Dimming /Triac / 0-10V (100%-1%)
Lamp Life	50,000Hr
Environment	IP44
Operating Temp	-4° F - 104° F

Ordering Code:

Series	Trim		Finish		Lumen Package		Beam		Optical Filter	
	4" Round		Baffle	Trim						
Go2LX	4ST - Square Trimmed	F - Fixed	SP - Specular	W - White	27K -	2700K	15D	15°	SF -	Frosted Lens
	4SL - Square Trimless	A - Adjustable	WH - White	B - Black	30K -	3000K	24D	24°	HL -	Honeycomb Louver
		W - Wall Wash	SB - Specular Black	C - Custom	35K -	3500K	38D	38°	SO -	Solite Softening Lens
			SL - Silver		40K -	4000K	55D	55°	LS -	Linear Spread Lens
			BK - Black		D2W	3000-1800K				
			GD - Gold		TW	4500-2700K				

Installation Type	
NC -	New Construction
IC -	Insulation Contact
CP -	Chicago Plenum/Airtight

Driver	
ELV -	ELV/TRIAC Phase Cutting 3%
D10 -	0/1-10V (100% - 1%)
DAL -	DALI-2 Dim to off 0.1%
L01 -	Lutron Hi-Lume 2-wire 1%
P01 -	Prem DriverDim to off 0.1%

Emergency	
EM4 -	4 watts / 90 mins
EM10 -	10 watts / 90 mins

Ordering Code Example:
Go2LX-4STF-WHW-27K15D-SF-NC-ELV





4" Square Downlight



Performance

90 CRI / 25W	2700K	3000K	3500K	4000
15 Degree	1784Lm	1859Lm	1878Lm	1915Lm
24 Degree	1986Lm	2070Lm	2090Lm	2132Lm
38 Degree	2028Lm	2112Lm	2133Lm	2175Lm
55 Degree	1825Lm	1900Lm	1919Lm	1957Lm

Preliminary, pre-launch test-data. Delivered lumen values +/- 5%. Optical filters will reduce delivered lumen values

Optical Lens



Clear

Frosted

Honeycomb

Linear Spread

Solite

LIGHT LOSS FACTOR

Honeycomb Louver	0.55
Solite Filter	0.70
Frosted Filter	0.70
Linear Spread Filter	0.70

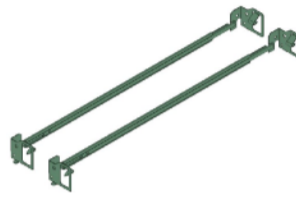
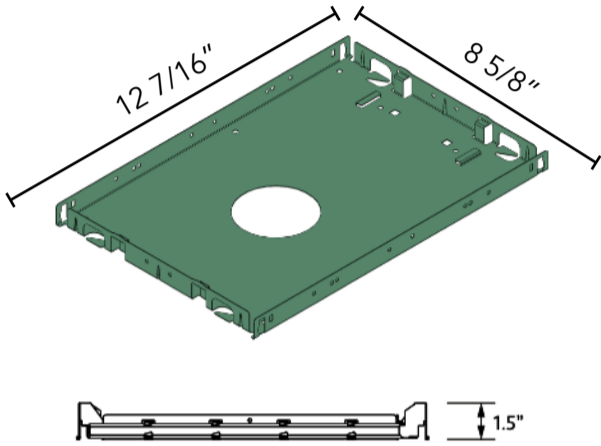


4" Square Downlight

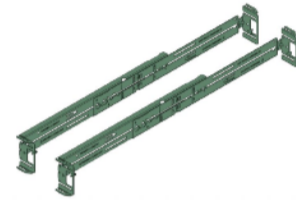


Mounting Options

NC - New Construction Frame-In Tray



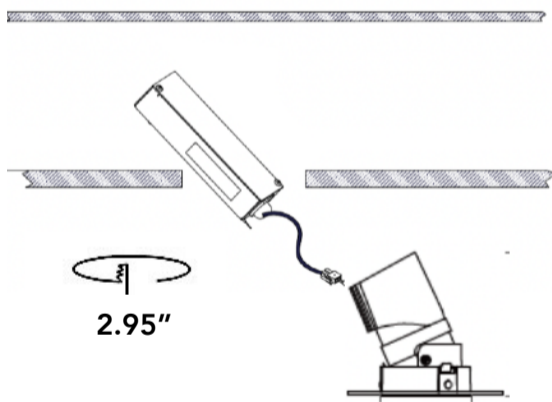
Standard bar hanger (included)
Mounting Length 14 3/4" - 26".
Extension kit can be ordered separately.



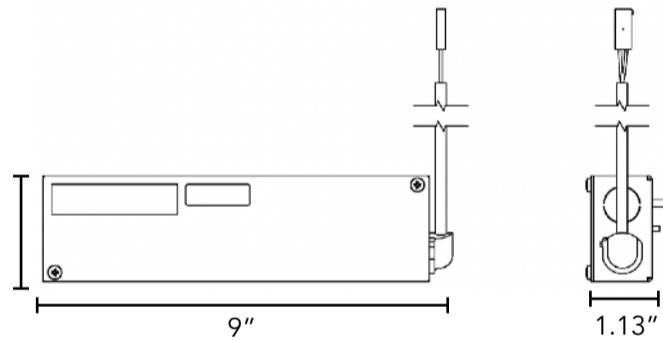
Commercial bar hanger #1487
Butterfly and Caterpillar brackets available



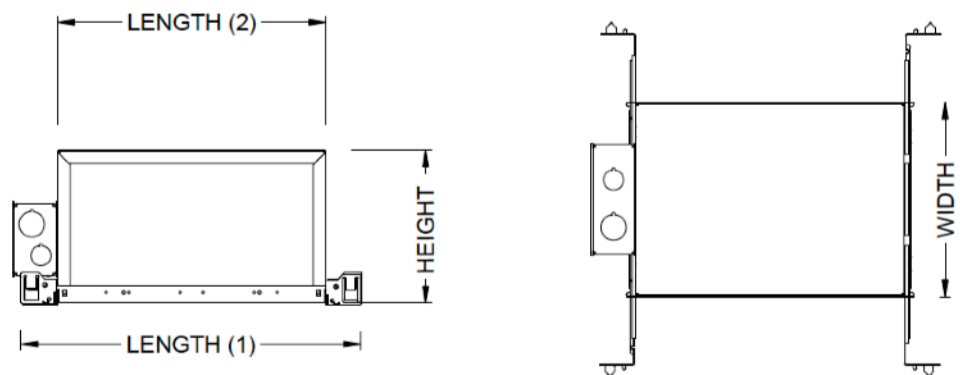
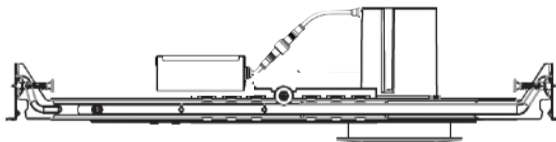
Remodel Mounting



LED Driver Enclosure and Junction Box



IC / Chicago Plenum / Airtight



Length	Width	Height
11 3/4"	8 1/2"	6 3/4"



4" Square Downlight



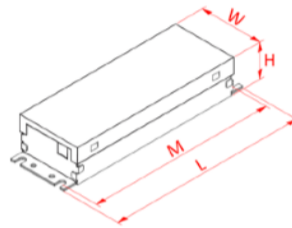
Emergency

Primary Specifications:

Output Power Max	Input Power	Input Current Max	Emergency Operating Time	Battery	Input Voltage	Output Voltage	Ambient Operating Temperature	UL Listed for US and Canada
4 W	4 W	60 mA	90 min.	LiFePO ₄ 24 Hour recharge 7 to 10 year Life expectancy	120-277 Vac 50/60Hz	12-55 V ¹	0 °C through 55 °C	UL and cUL (UL924) Emergency LED Driver

Dimensions / Weight

Length	5.3"	Height	1.0"
Width	1.7"	Mounting Length	5.4"
Weight	0.66 lb		



REMOTE TEST SWITCH

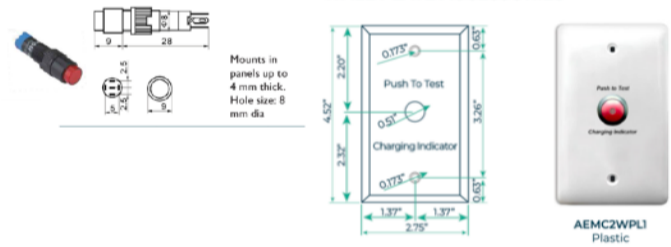
The Remote Test Switch may be mounted adjacent to the LED Fixture by others.

EMERGENCY BATTERY ACCESS

Above ceiling access is recommended for ease of service, but LED Fixture Sizes of 4" and Larger are capable of below ceiling access. IC/ICAT/CP Box and ITS option require an access panel in the ceiling (or other form of access) adjacent to the installation location of the Emergency Battery.

REMOTE LOCATION

Maximum remote mounting distance of the emergency driver shall be 50 feet. Remote location wiring provided by others. Follow all Local and National Electric/ Building Codes.



Primary Specifications:

Output Power Max	Input Power	Input Current Max	Emergency Operating Time	Battery	Input Voltage	Output Voltage	Ambient Operating Temperature	UL Listed for US and Canada
10 W	4 W	60 mA	90 min.	LiFePO ₄ 24 Hour recharge 7 to 10 year Life expectancy	120-277 Vac 50/60Hz	15-55 V ¹	0 °C through 55 °C	UL and cUL (UL924) Emergency LED Driver

Dimensions / Weight

Length	9.5"	Height	1.2"
Width	1.7"	Mounting Length	8.9"
Weight	2.09 lb		

