



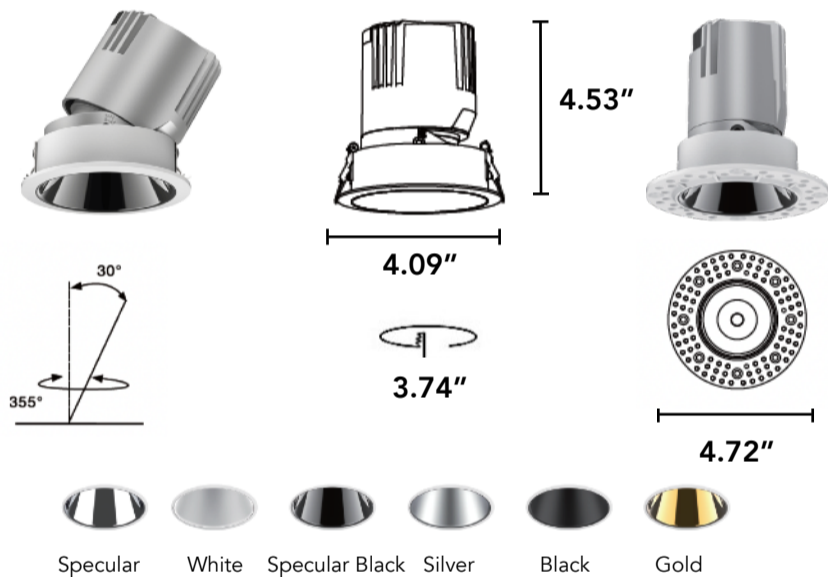
4" Round Downlight



FEATURES

- Modular design, field replaceable LED module, trim, beam lens and accessories.
- Interchangeable secondary reflector options for glare control and maximum visual comfort.
- Quiet ceiling achieved through deep regress.
- Precise light control, 15°/24°/38°/55° TIR lens beam options.
- Offered standard with flicker free dimming to 1% and premium, fade-to-off dimming (.1%), option available.

SPECIFICATIONS



Input Voltage	100-277V AC
Wattage	25W
Delivered Lumens	2175Lm +/-5%
LED	<3-Step MacAdam Ellipse (2-Step Available)
CCT	27K, 30K, 35K, 40K, D2W, TW
CRI	>90Ra
Beam Angle	TIR Lens 15°/24°/36°/55°
Adjustability	Max Tilt Angle 30° / Horizontal Rotation Angle 355°
Dimming	Trimode Dimming /Triac / 0-10V (100%-1%)
Lamp Life	50,000Hr
Environment	IP44
Operating Temp	-4° F - 104° F

Ordering Code:

Series	Trim		CCT		Beam		Finish		Optical Filter	
							Baffle	Trim		
Go2LX	4RT - Round Trimmed	F - Fixed	27K -	2700K	15D	15°	----	W - White	SF -	Softening Lens
	4RL - Round Trimless	A - Adjustable	30K -	3000K	24D	24°	SP - Specular	B - Black	HL -	Honeycomb Louver
		W - Wall Wash	35K -	3500K	38D	38°	WH - White	C - Custom	SO -	Solite Lens
		P - Pinhole	40K -	4000K	55D	55°	SB - Specular Black		LS -	Linear Spread Lens
		S - Slot	D2W	3000-1800K			SL - Silver			
		TW	4500-2700K			BK - Black				
						GD - Gold				

Installation Type	
NC -	New Construction
IC -	Insulation Contact
CP -	Chicago Plenum/Airtight

Driver	
ELV -	ELV/TRIAC Phase Cutting 3%
D10 -	0/1-10V (100% - 1%)
DAL -	DALI-2 Dim to off 0.1%
L01 -	Lutron Hi-Lume 2-wire 1%
PO1 -	Prem DriverDim to off 0.1%

Emergency	
EM4 -	4 watts / 90 mins
EM10 -	10 watts / 90 mins

Ordering Code Example:
Go2LX-4RTF-WHW-27K15D-SF-NC-ELV





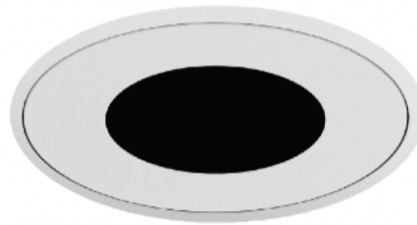
4" Round Downlight



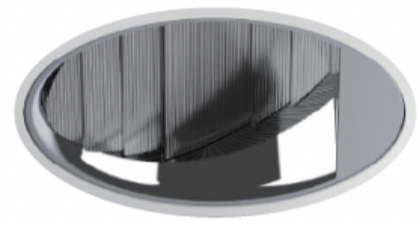
Additional Views



Trimmed Slot



Trimmed Pinhole



Polarized Wall Washer

Performance

90 CRI / 25W	2700K	3000K	3500K	4000
15 Degree	1784Lm	1859Lm	1878Lm	1915Lm
24 Degree	1986Lm	2070Lm	2090Lm	2132Lm
38 Degree	2028Lm	2112Lm	2133Lm	2175Lm
55 Degree	1825Lm	1900Lm	1919Lm	1957Lm

Preliminary, pre-launch test-data. Delivered lumen values +/- 5%. Optical filters will reduce delivered lumen values

Optical Lens



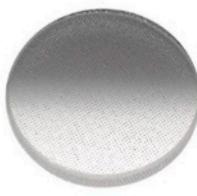
Softening Lens



Honeycomb



Linear Spread



Solite

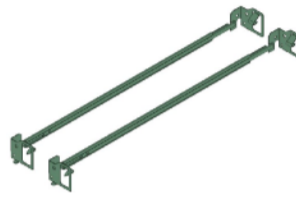
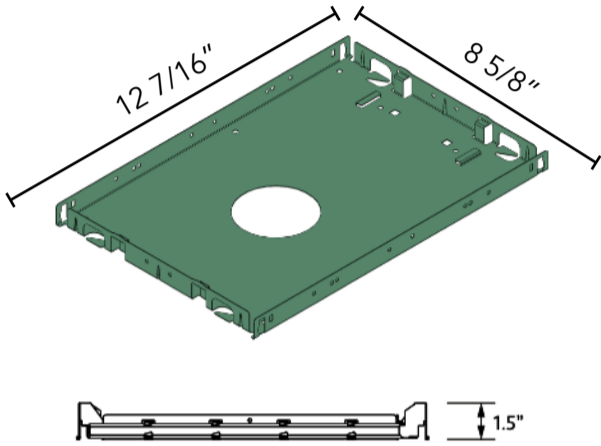


4" Round Downlight

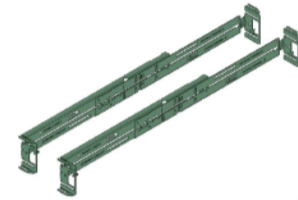


Mounting Options

NC - New Construction Frame-In Tray



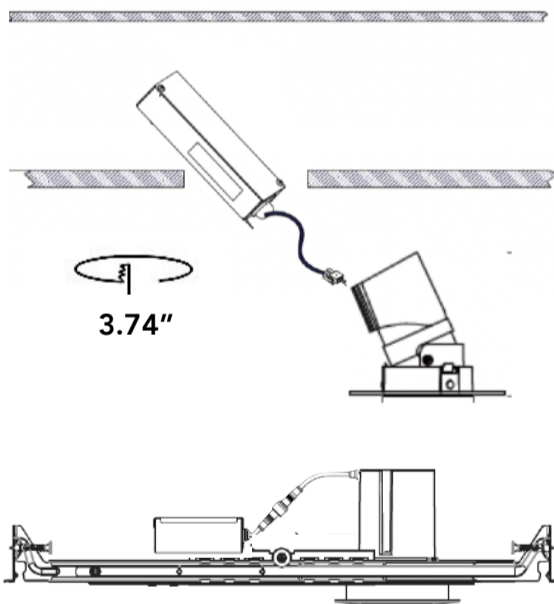
Standard bar hanger (included)
Mounting Length 14 3/4" - 26".
Extension kit can be ordered separately.



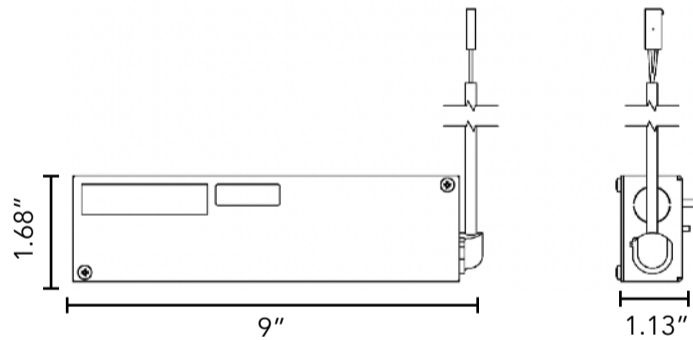
Commercial bar hanger #1487
Butterfly and Caterpillar brackets available



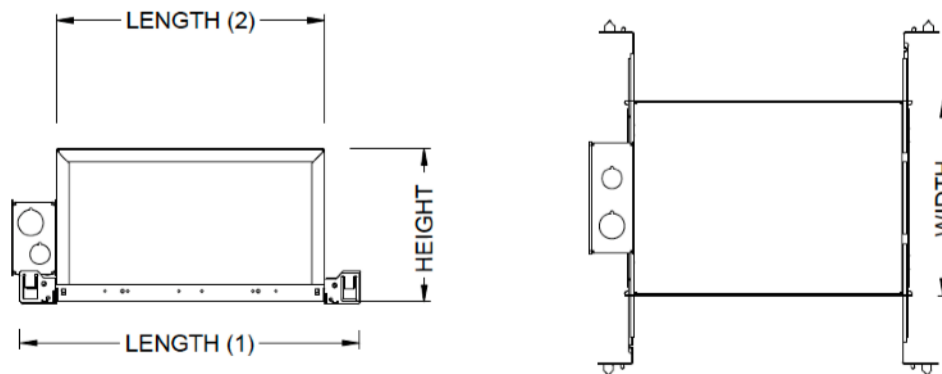
Remodel Mounting



LED Driver Enclosure and Junction Box



IC / Chicago Plenum / Airtight



Length	Width	Height
11 3/4"	8 1/2"	6 3/4"



4" Round Downlight



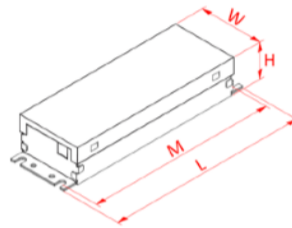
Emergency

Primary Specifications:

Output Power Max	Input Power	Input Current Max	Emergency Operating Time	Battery	Input Voltage	Output Voltage	Ambient Operating Temperature	UL Listed for US and Canada
4 W	4 W	60 mA	90 min.	LiFePO ₄ 24 Hour recharge 7 to 10 year Life expectancy	120-277 Vac 50/60Hz	12-55 V ¹	0 °C through 55 °C	UL and cUL (UL924) Emergency LED Driver

Dimensions / Weight

Length	5.3"	Height	1.0"
Width	1.7"	Mounting Length	5.4"
Weight	0.66 lb		



REMOTE TEST SWITCH

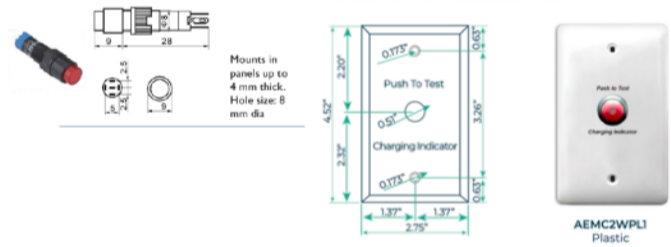
The Remote Test Switch may be mounted adjacent to the LED Fixture by others.

EMERGENCY BATTERY ACCESS

Above ceiling access is recommended for ease of service, but LED Fixture Sizes of 4" and Larger are capable of below ceiling access. IC/ICAT/CP Box and ITS option require an access panel in the ceiling (or other form of access) adjacent to the installation location of the Emergency Battery.

REMOTE LOCATION

Maximum remote mounting distance of the emergency driver shall be 50 feet. Remote location wiring provided by others. Follow all Local and National Electric/ Building Codes.



Primary Specifications:

Output Power Max	Input Power	Input Current Max	Emergency Operating Time	Battery	Input Voltage	Output Voltage	Ambient Operating Temperature	UL Listed for US and Canada
10 W	4 W	60 mA	90 min.	LiFePO ₄ 24 Hour recharge 7 to 10 year Life expectancy	120-277 Vac 50/60Hz	15-55 V ¹	0 °C through 55 °C	UL and cUL (UL924) Emergency LED Driver

Dimensions / Weight

Length	9.5"	Height	1.2"
Width	1.7"	Mounting Length	8.9"
Weight	2.09 lb		

