



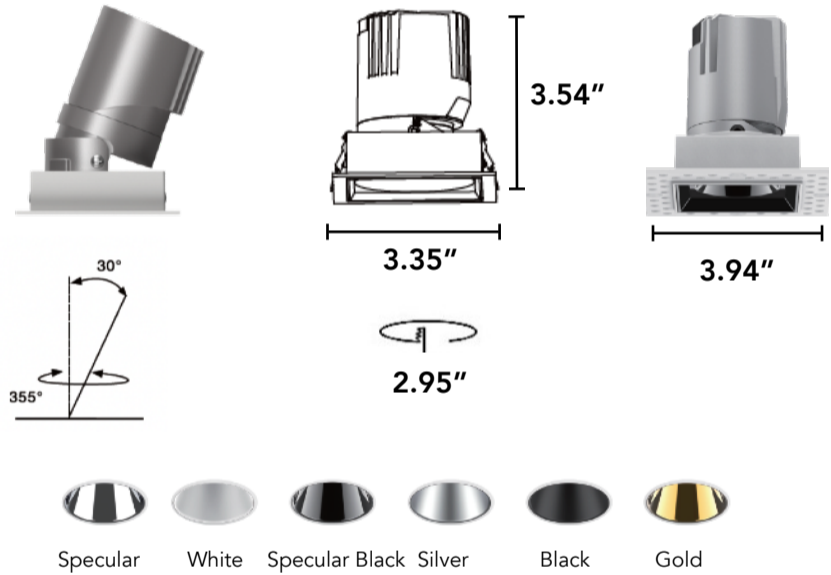
# 3" Square Downlight



## FEATURES

- Modular design, field replaceable LED module, trim, beam lens and accessories.
- Interchangeable secondary reflector options for glare control and maximum visual comfort.
- Quiet ceiling achieved through deep regress.
- Precise light control, 15°/24°/38°/55° TIR lens beam options.
- Offered standard with flicker free dimming to 1% and premium, fade-to-off dimming (.1%), option available.

## SPECIFICATIONS



<b>Input Voltage</b>	100-277V AC
<b>Wattage</b>	15W
<b>Delivered Lumens</b>	1275Lm +/-5%
<b>LED</b>	<3-Step MacAdam Ellipse (2-Step Available)
<b>CCT</b>	27K, 30K, 35K, 40K, D2W, TW
<b>CRI</b>	>90Ra
<b>Beam Angle</b>	TIR Lens 15°/24°/36°/55°
<b>Adjustability</b>	Max Tilt Angle 30° / Horizontal Rotation Angle 355°
<b>Dimming</b>	Trimode Dimming /Triac / 0-10V (100%-1%)
<b>Lamp Life</b>	50,000Hr
<b>Environment</b>	IP44
<b>Operating Temp</b>	-4° F - 104° F

### Ordering Code:

Series	Trim		Finish		Lumen Package		Beam		Optical Filter	
			Baffle	Trim						
Go2LX	3ST - Square Trimmed	F - Fixed	SP - Specular	W - White	27K -	2700K	15D	15°	SF -	Frosted Lens
	3SL - Square Trimless	A - Adjustable	WH - White	B - Black	30K -	3000K	24D	24°	HL -	Honeycomb Louver
		W - Wall Wash	SB - Specular Black	C - Custom	35K -	3500K	38D	38°	SO -	Solite Softening Lens
			SL - Silver		40K -	4000K	55D	55°	LS -	Linear Spread Lens
			BK - Black		D2W	3000-1800K				
		GD - Gold		TW	4500-2700K					

Installation Type		Driver		Emergency	
NC -	New Construction	ELV -	ELV/TRIAC Phase Cutting 3%	EM4 -	4 watts / 90 mins
IC -	Insulation Contact	D10 -	0/1-10V (100% - 1%)	EM10 -	10 watts / 90 mins
CP -	Chicago Plenum/Airtight	DAL -	DALI-2 Dim to off 0.1%		
		L01 -	Lutron Hi-Lume 2-wire 1%		
		P01 -	Prem DriverDim to off 0.1%		

Ordering Code Example:  
Go2LX-3STF-WHW-27K15D-SF-NC-ELV





## 3" Square Downlight



## Performance

90 CRI / 15W	2700K	3000K	3500K	4000
15 Degree	1077Lm	1122Lm	1133Lm	1155Lm
24 Degree	1102Lm	1150Lm	1159Lm	1182Lm
38 Degree	1224Lm	1275Lm	1288Lm	1313Lm
55 Degree	1200Lm	1250Lm	1262Lm	1287Lm

Preliminary, pre-launch test-data. Delivered lumen values +/- 5%. Optical filters will reduce delivered lumen values

## Optical Lens



Clear

Frosted

Honeycomb

Linear Spread

Solite

## LIGHT LOSS FACTOR

Honeycomb Louver	0.55
Solite Filter	0.70
Frosted Filter	0.70
Linear Spread Filter	0.70

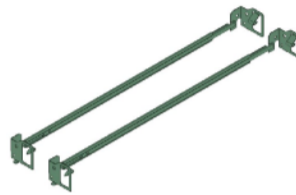
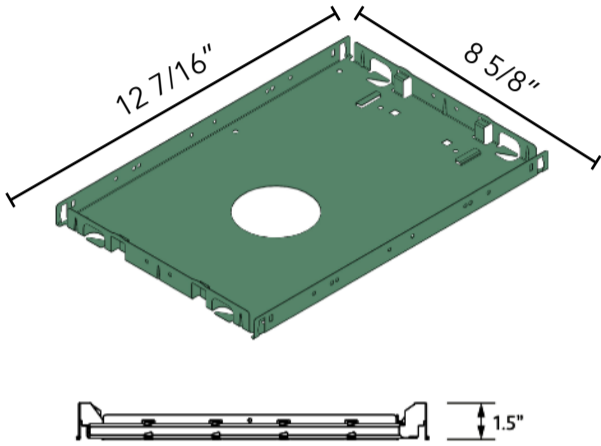


# 3" Square Downlight

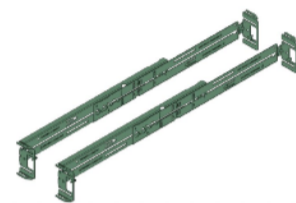


## Mounting Options

### NC - New Construction Frame-In Tray



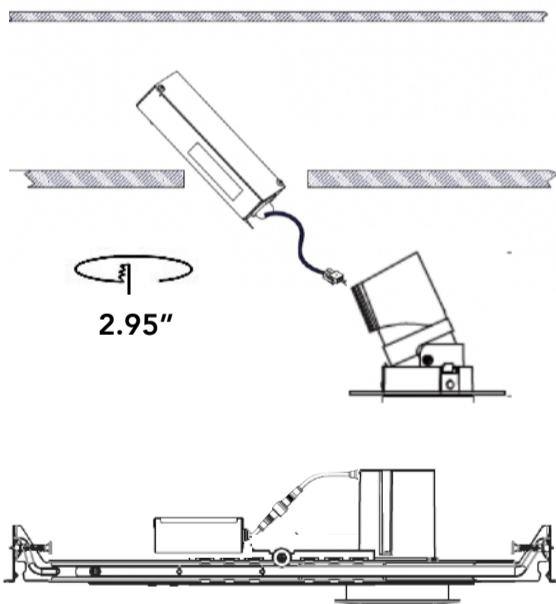
Standard bar hanger (included)  
Mounting Length 14 3/4" - 26".  
Extension kit can be ordered separately.



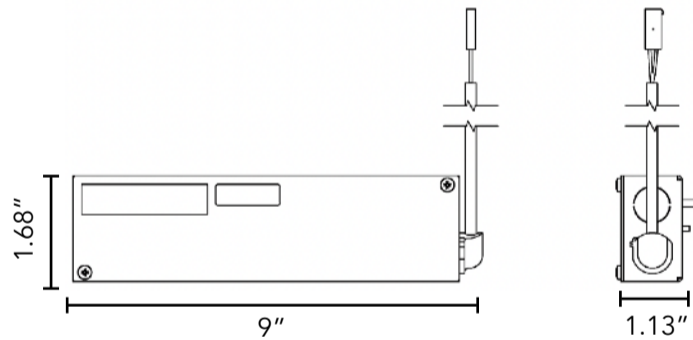
Commercial bar hanger #1487  
Butterfly and Caterpillar brackets available



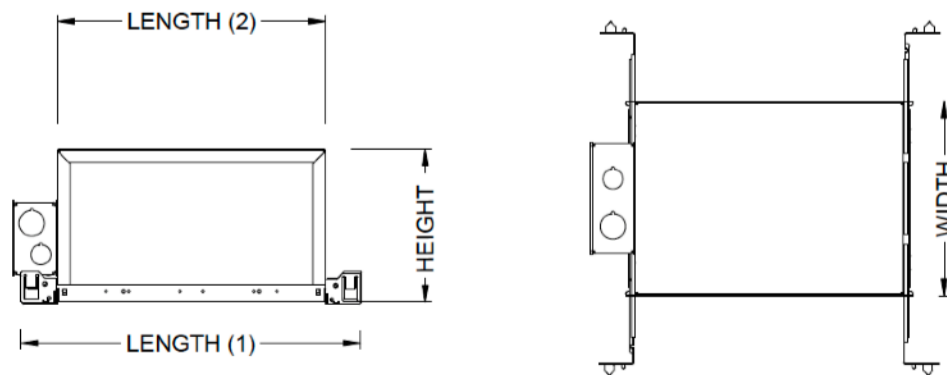
### New Construction/Remodel Mounting



### LED Driver Enclosure and Junction Box



### IC / Chicago Plenum / Airtight



Length	Width	Height
11 3/4"	8 1/2"	4 3/4"



# 3" Square Downlight



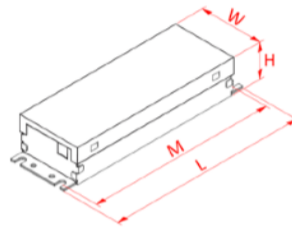
## Emergency

### Primary Specifications:

Output Power Max	Input Power	Input Current Max	Emergency Operating Time	Battery	Input Voltage	Output Voltage	Ambient Operating Temperature	UL Listed for US and Canada
4 W	4 W	60 mA	90 min.	LiFePO <sub>4</sub> 24 Hour recharge 7 to 10 year Life expectancy	120-277 Vac 50/60Hz	12-55 V <sup>1</sup>	0 °C through 55 °C	UL and cUL (UL924) Emergency LED Driver

### Dimensions / Weight

Length	5.3"	Height	1.0"
Width	1.7"	Mounting Length	5.4"
Weight	0.66 lb		



### REMOTE TEST SWITCH

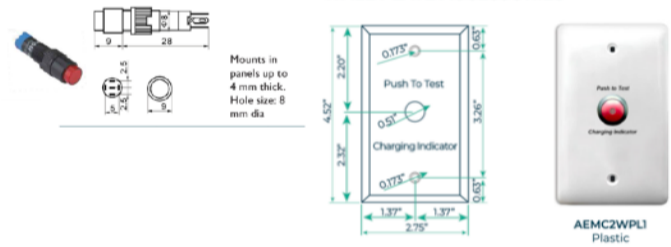
The Remote Test Switch may be mounted adjacent to the LED Fixture by others.

### EMERGENCY BATTERY ACCESS

Above ceiling access is recommended for ease of service, but LED Fixture Sizes of 4" and Larger are capable of below ceiling access. IC/ICAT/CP Box and ITS option require an access panel in the ceiling (or other form of access) adjacent to the installation location of the Emergency Battery.

### REMOTE LOCATION

Maximum remote mounting distance of the emergency driver shall be 50 feet. Remote location wiring provided by others. Follow all Local and National Electric/ Building Codes.



### Primary Specifications:

Output Power Max	Input Power	Input Current Max	Emergency Operating Time	Battery	Input Voltage	Output Voltage	Ambient Operating Temperature	UL Listed for US and Canada
10 W	4 W	60 mA	90 min.	LiFePO <sub>4</sub> 24 Hour recharge 7 to 10 year Life expectancy	120-277 Vac 50/60Hz	15-55 V <sup>1</sup>	0 °C through 55 °C	UL and cUL (UL924) Emergency LED Driver

### Dimensions / Weight

Length	9.5"	Height	1.2"
Width	1.7"	Mounting Length	8.9"
Weight	2.09 lb		

