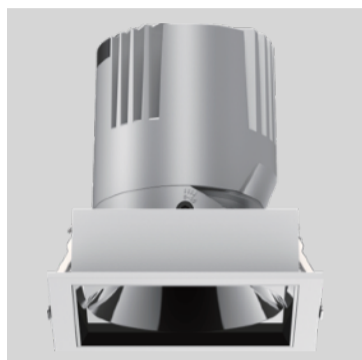




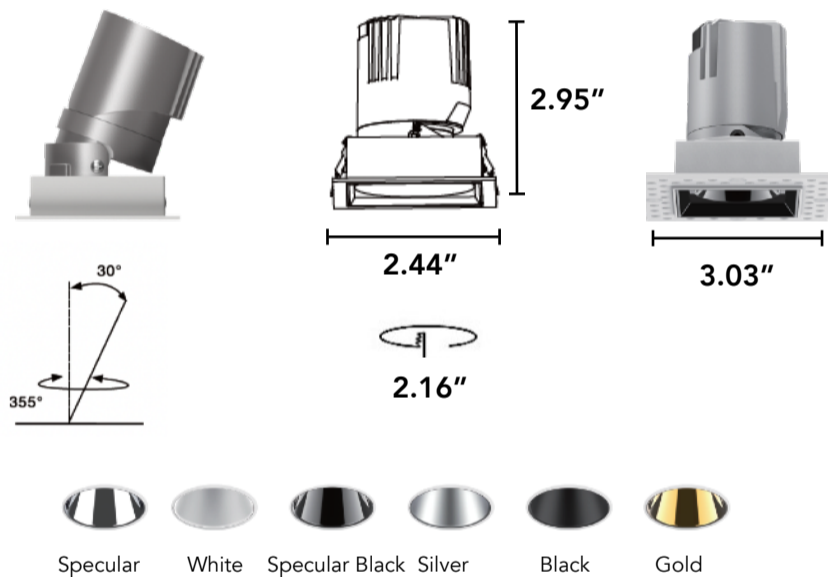
2" Square Downlight



FEATURES

- Modular design, field replaceable LED module, trim, beam lens and accessories.
- Interchangeable secondary reflector options for glare control and maximum visual comfort.
- Quiet ceiling achieved through deep regress.
- Precise light control, 15°/24°/38°/55° TIR lens beam options.
- Offered standard with flicker free dimming to 1% and premium, fade-to-off dimming (.1%), option available.

SPECIFICATIONS



| | |
|-------------------------|---|
| Input Voltage | 100-277V AC |
| Wattage | 8W |
| Delivered Lumens | 680Lm +/-5% |
| LED | <3-Step MacAdam Ellipse (2-Step Available) |
| CCT | 27K, 30K, 35K, 40K, D2W, TW |
| CRI | >90Ra |
| Beam Angle | TIR Lens 15°/24°/36°/55° |
| Adjustability | Max Tilt Angle 30° / Horizontal Rotation Angle 355° |
| Dimming | Trimode Dimming /Triac / 0-10V (100%-1%) |
| Lamp Life | 50,000Hr |
| Environment | IP44 |
| Operating Temp | -4° F - 104° F |

Ordering Code:

| Series | Trim | | Finish | | Lumen Package | | Beam | | Optical Filter | |
|--------|-----------------------|----------------|---------------------|------------|---------------|------------|------|-----|----------------|-----------------------|
| | | | Baffle | Trim | | | | | | |
| Go2LX | 2ST - Square Trimmed | F - Fixed | SP - Specular | W - White | 27K - | 2700K | 15D | 15° | SF - | Frosted Lens |
| | 2SL - Square Trimless | A - Adjustable | WH - White | B - Black | 30K - | 3000K | 24D | 24° | HL - | Honeycomb Louver |
| | | | SB - Specular Black | C - Custom | 35K - | 3500K | 38D | 38° | SO - | Solite Softening Lens |
| | | | SL - Silver | | 40K - | 4000K | 55D | 55° | LS - | Linear Spread Lens |
| | | | BK - Black | | D2W | 3000-1800K | | | | |
| | | | GD - Gold | | TW | 4500-2700K | | | | |

| Installation Type | | Driver | | Emergency | |
|-------------------|--------------------|--------|-----------------------------|-----------|--------------------|
| NC - | New Construction | ELV - | ELV/TRIAC Phase Cutting 3% | EM4 - | 4 watts / 90 mins |
| IC - | Insulation Contact | D10 - | 0/1-10V (100% - 1%) | EM10 - | 10 watts / 90 mins |
| CP* - | Chicago Plenum | DAL - | DALI-2 Dim to off 0.1% | | |
| | | L01 - | Lutron Hi-Lume 2-wire 1% | | |
| | | P01 - | Prem Driver Dim to off 0.1% | | |

Ordering Code Example:
Go2LX-2STF-WHW-27K15D-SF-NC-ELV





2" Square Downlight



Performance

| 90 CRI / 8W | 2700K | 3000K | 3500K | 4000 |
|-------------|-------|-------|-------|-------|
| 15 Degree | 574Lm | 598Lm | 603Lm | 616Lm |
| 24 Degree | 587Lm | 612Lm | 617Lm | 630Lm |
| 38 Degree | 652Lm | 680Lm | 686Lm | 700Lm |
| 55 Degree | 639Lm | 666Lm | 672:m | 686LM |

Preliminary, pre-launch test-data. Delivered lumen values +/- 5%. Optical filters will reduce delivered lumen values

Optical Lens



Clear

Frosted

Honeycomb

Linear Spread

Solite

| LIGHT LOSS FACTOR | |
|----------------------|------|
| Honeycomb Louver | 0.55 |
| Solite Filter | 0.70 |
| Frosted Filter | 0.70 |
| Linear Spread Filter | 0.70 |

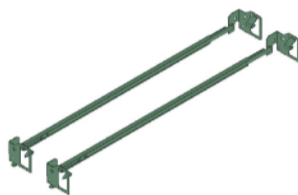
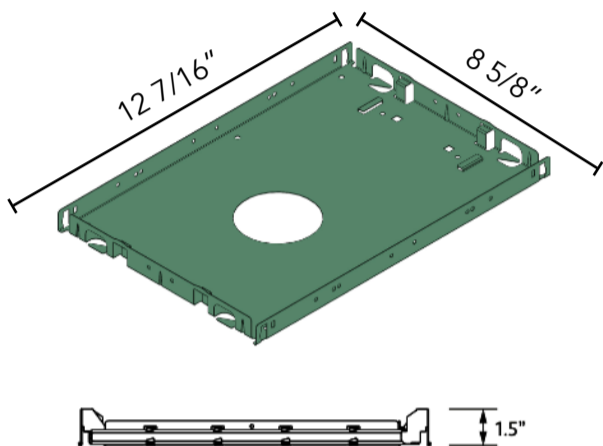


2" Square Downlight

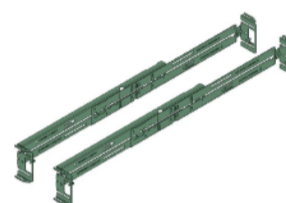


Mounting Options

NC - New Construction Frame-In Tray



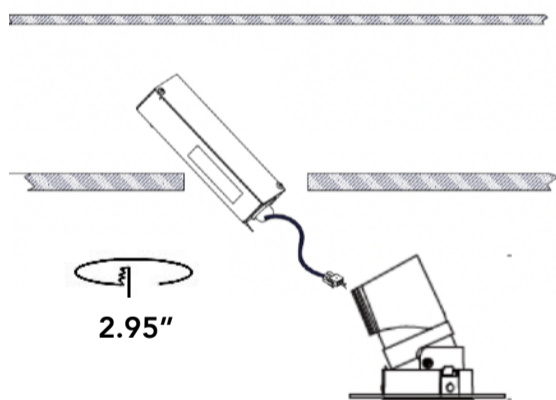
Standard bar hanger (included)
Mounting Length 14 3/4" - 26"
Extension kit can be ordered separately.



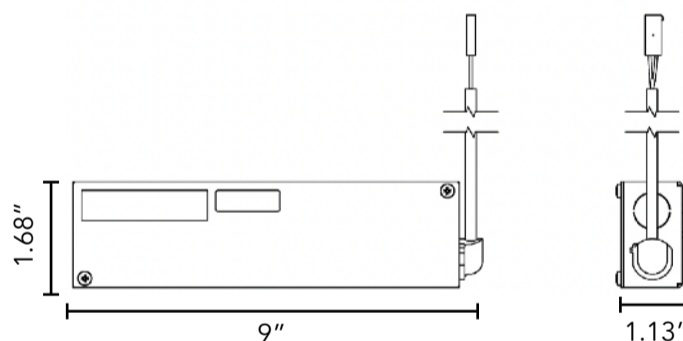
Commercial bar hanger #1487
Butterfly and Caterpillar brackets available



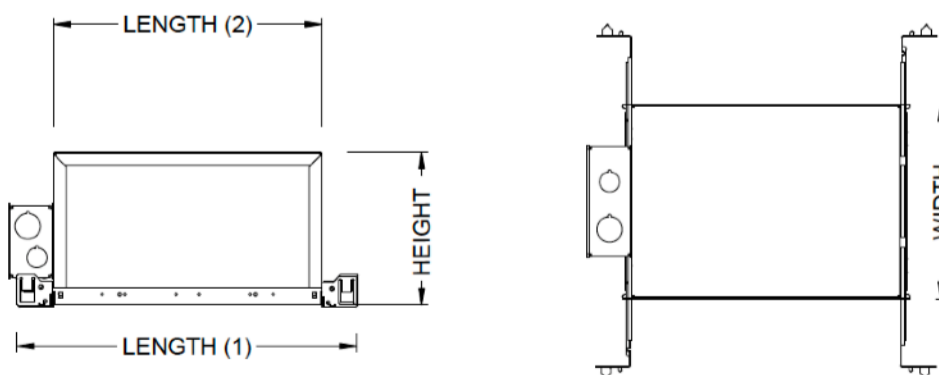
New Construction/Remodel Mounting



LED Driver Enclosure and Junction Box



IC / Chicago Plenum / Airtight



| Length | Width | Height |
|--------|--------|--------|
| 9 3/4" | 8 1/2" | 3 1/2" |

Note: Small fixture housing and driver enclosure box assembly can be used for both new construction and remodel. For remodel application, no new construction tray is needed.

The ceiling cutout opening will be too small to fit your hand through it. So it is very important that the LED driver remains accessible by removing the lighting fixture, thus allowing you to inspect the connectors or LED driver at any time without physically damaging your ceiling or other building materials.

This mounting allows for installation from below the ceiling and full serviceability of the LED driver and driver/junction



2" Square Downlight



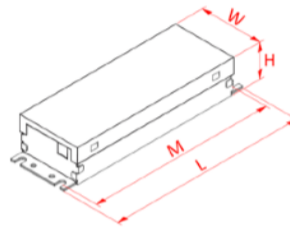
Emergency

Primary Specifications:

| Output Power Max | Input Power | Input Current Max | Emergency Operating Time | Battery | Input Voltage | Output Voltage | Ambient Operating Temperature | UL Listed for US and Canada |
|------------------|-------------|-------------------|--------------------------|--|---------------------------|----------------------|-------------------------------|--|
| 4 W | 4 W | 60 mA | 90 min. | LiFePO ₄ 24 Hour recharge 7 to 10 year Life expectancy | 120-277 Vac 50/60Hz | 12-55 V ¹ | 0 °C through 55 °C | UL and cUL (UL924) Emergency LED Driver |

Dimensions / Weight

| | | | |
|--------|---------|-----------------|------|
| Length | 5.3" | Height | 1.0" |
| Width | 1.7" | Mounting Length | 5.4" |
| Weight | 0.66 lb | | |



REMOTE TEST SWITCH

The Remote Test Switch may be mounted adjacent to the LED Fixture by others.

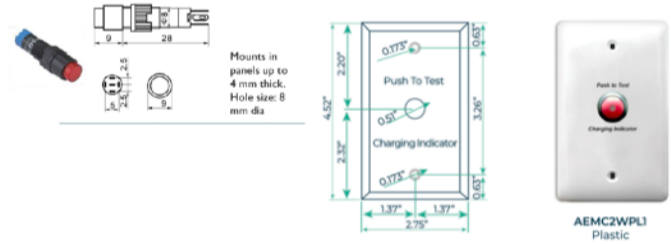
EMERGENCY BATTERY ACCESS

Above ceiling access is recommended for ease of service, but LED Fixture Sizes of 4" and Larger are capable of below ceiling access. IC/ICAT/CP Box and ITS option require an access panel in the ceiling (or other form of access) adjacent to the installation location of the Emergency Battery.

REMOTE LOCATION

Maximum remote mounting distance of the emergency driver shall be 50 feet. Remote location wiring provided by others. Follow all Local and National Electric/ Building Codes.

WALL PLATE ACCESSORIES



Primary Specifications:

| Output Power Max | Input Power | Input Current Max | Emergency Operating Time | Battery | Input Voltage | Output Voltage | Ambient Operating Temperature | UL Listed for US and Canada |
|------------------|-------------|-------------------|--------------------------|--|---------------------------|----------------------|-------------------------------|--|
| 10 W | 4 W | 60 mA | 90 min. | LiFePO ₄ 24 Hour recharge 7 to 10 year Life expectancy | 120-277 Vac 50/60Hz | 15-55 V ¹ | 0 °C through 55 °C | UL and cUL (UL924) Emergency LED Driver |

Dimensions / Weight

| | | | |
|--------|---------|-----------------|------|
| Length | 9.5" | Height | 1.2" |
| Width | 1.7" | Mounting Length | 8.9" |
| Weight | 2.09 lb | | |

