



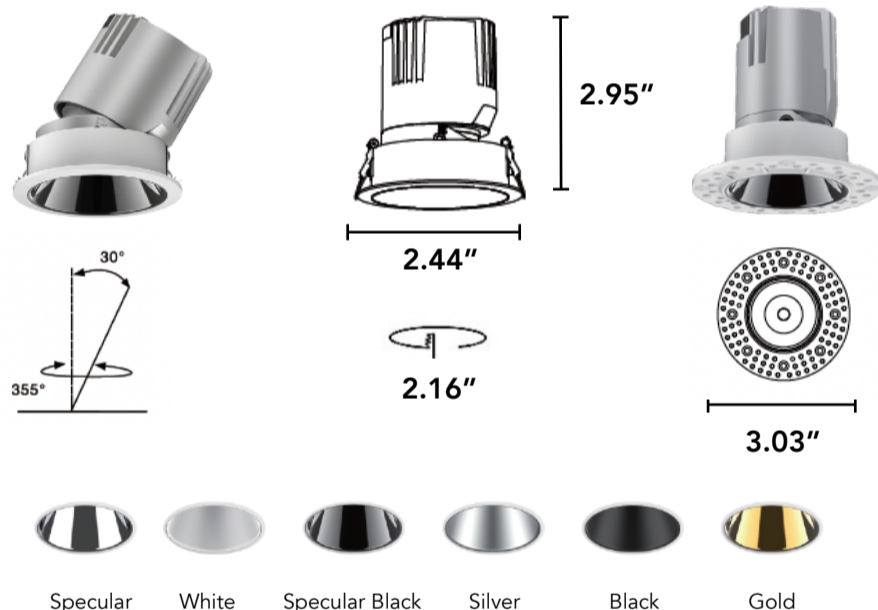
2" Round Downlight



FEATURES

- Modular design, field replaceable LED module, trim, beam lens and accessories.
- Interchangeable secondary reflector options for glare control and maximum visual comfort.
- Quiet ceiling achieved through deep regress.
- Precise light control, 15°/24°/38°/55° TIR lens beam options.
- Offered standard with flicker free dimming to 1% and premium, fade-to-off dimming (.1%), option available.

SPECIFICATIONS



Input Voltage	100-277V AC
Wattage	8W
Delivered Lumens	680Lm +/-5%
LED	<3-Step MacAdam Ellipse (2-Step Available)
CCT	27K, 30K, 35K, 40K, D2W, TW
CRI	>90Ra
Beam Angle	TIR Lens 15°/24°/36°/55°
Adjustability	Max Tilt Angle 30° / Horizontal Rotation Angle 355°
Dimming	Trimode Dimming /Triac / 0-10V (100%-1%)
Lamp Life	50,000Hr
Environment	IP44
Operating Temp	-4° F - 104° F

Ordering Code:

Series	Trim		CCT		Beam		Finish		Optical Filter	
							Baffle	Trim		
Go2LX	2RT - Round Trimmed	F - Fixed	27K -	2700K	15D	15°	SP - Specular	W - White	SF -	Softening Lens
	2RL - Round Trimless	A - Adjustable	30K -	3000K	24D	24°	WH - White	B - Black	HL -	Honeycomb Louver
			35K -	3500K	38D	38°	SB - Specular Black	C - Custom	SO -	Solite Lens
			40K -	4000K	55D	55°	SL - Silver		LS -	Linear Spread Lens
			D2W	3000-1800K			BK - Black			
			TW	4500-2700K			GD - Gold			

Installation Type	
NC -	New Construction
IC -	Insulation Contact
CP -	Chicago Plenum/Airtight

Driver	
ELV -	ELV/TRIAC Phase Cutting 3%
D10 -	0/1-10V (100% - 1%)
DAL -	DALI-2 Dim to off 0.1%
L01 -	Lutron Hi-Lume 2-wire 1%
P01 -	Prem Driver Dim to off 0.1%

Emergency	
EM4 -	4 watts / 90 mins
EM10 -	10 watts / 90 mins

Ordering Code Example:
Go2LX-2RTF-WHW-27K15D-SF-NC-ELV





2" Round Downlight



Performance

90 CRI / 8W	2700K	3000K	3500K	4000
15 Degree	574Lm	598Lm	603Lm	616Lm
24 Degree	587Lm	612Lm	617Lm	630Lm
38 Degree	652Lm	680Lm	686Lm	700Lm
55 Degree	639Lm	666Lm	672:m	686LM

Preliminary, pre-launch test-data. Delivered lumen values +/- 5%. Optical filters will reduce delivered lumen values

Optical Lens



Clear

Frosted

Honeycomb

Linear Spread

Solite

LIGHT LOSS FACTOR

Honeycomb Louver	0.55
Solite Filter	0.70
Frosted Filter	0.70
Linear Spread Filter	0.70

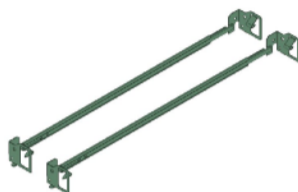
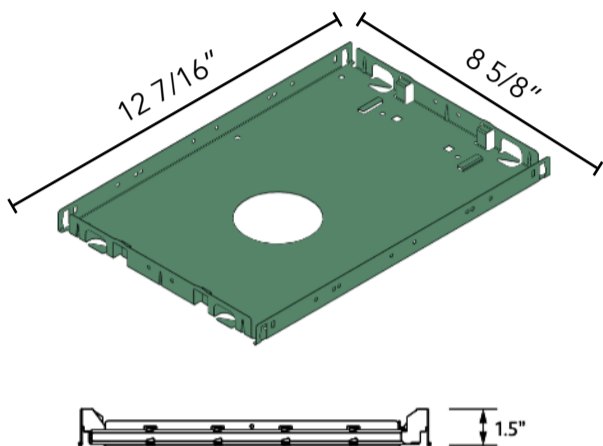


2" Round Downlight

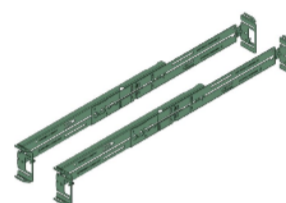


Mounting Options

NC - New Construction Frame-In Tray



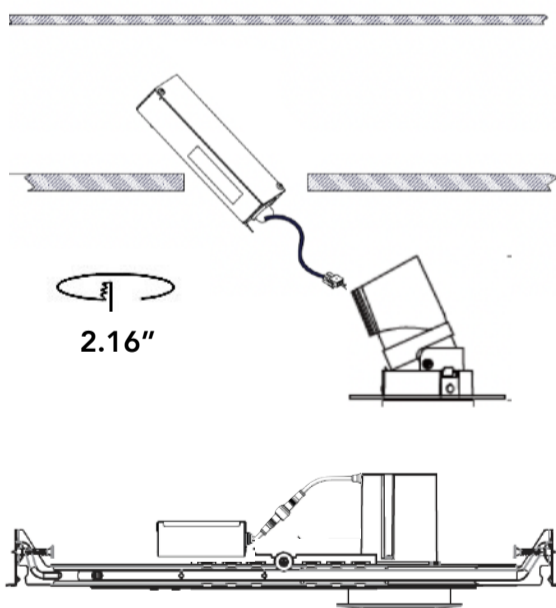
Standard bar hanger (included)
Mounting Length 14 3/4" - 26".
Extension kit can be ordered separately.



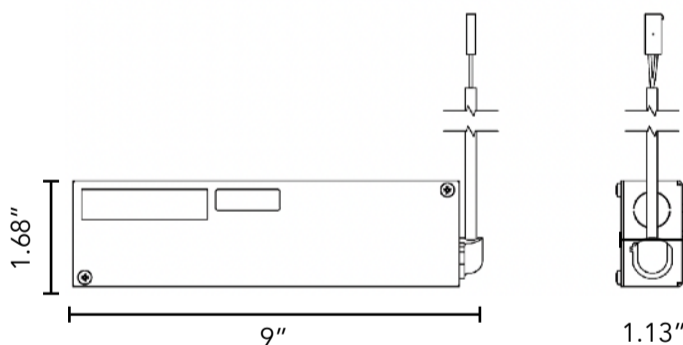
Commercial bar hanger #1487
Butterfly and Caterpillar brackets available



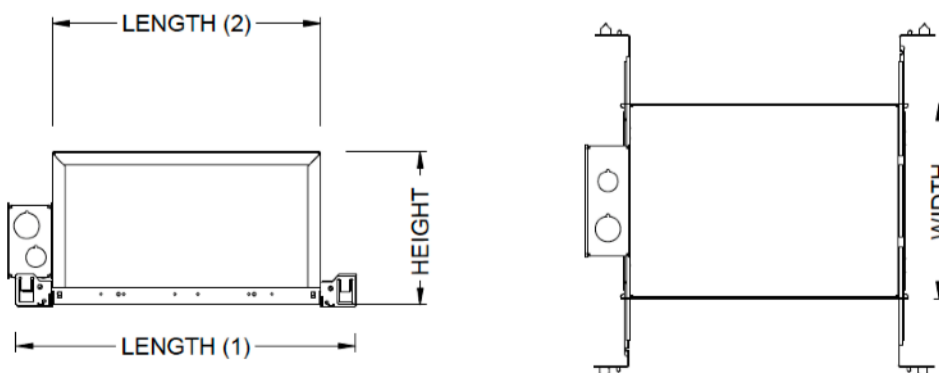
New Construction Mounting



LED Driver Enclosure and Junction Box



IC / Chicago Plenum / Airtight



Length	Width	Height
9 3/4"	8 1/2"	3 1/2"

Note: Small fixture housing and driver enclosure box assembly can be used for both new construction and remodel. For remodel application, no new construction tray is needed.

The ceiling cutout opening will be too small to fit your hand through it. So it is very important that the LED driver remains accessible by removing the lighting fixture, thus allowing you to inspect the connectors or LED driver at any time without physically damaging your ceiling or other building materials.

This mounting allows for installation from below the ceiling



2" Round Downlight



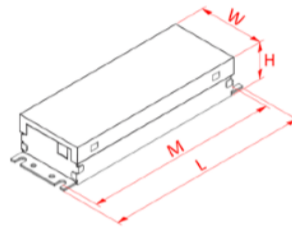
Emergency

Primary Specifications:

Output Power Max	Input Power	Input Current Max	Emergency Operating Time	Battery	Input Voltage	Output Voltage	Ambient Operating Temperature	UL Listed for US and Canada
4 W	4 W	60 mA	90 min.	LiFePO ₄ 24 Hour recharge 7 to 10 year Life expectancy	120-277 Vac 50/60Hz	12-55 V ¹	0 °C through 55 °C	UL and cUL (UL924) Emergency LED Driver

Dimensions / Weight

Length	5.3"	Height	1.0"
Width	1.7"	Mounting Length	5.4"
Weight	0.66 lb		



REMOTE TEST SWITCH

The Remote Test Switch may be mounted adjacent to the LED Fixture by others.

EMERGENCY BATTERY ACCESS

Above ceiling access is recommended for ease of service, but LED Fixture Sizes of 4" and Larger are capable of below ceiling access. IC/ICAT/CP Box and ITS option require an access panel in the ceiling (or other form of access) adjacent to the installation location of the Emergency Battery.

REMOTE LOCATION

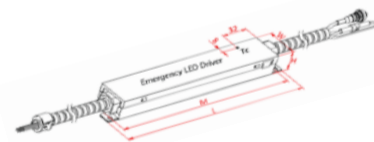
Maximum remote mounting distance of the emergency driver shall be 50 feet. Remote location wiring provided by others. Follow all Local and National Electric/ Building Codes.

Primary Specifications:

Output Power Max	Input Power	Input Current Max	Emergency Operating Time	Battery	Input Voltage	Output Voltage	Ambient Operating Temperature	UL Listed for US and Canada
10 W	4 W	60 mA	90 min.	LiFePO ₄ 24 Hour recharge 7 to 10 year Life expectancy	120-277 Vac 50/60Hz	15-55 V ¹	0 °C through 55 °C	UL and cUL (UL924) Emergency LED Driver

Dimensions / Weight

Length	9.5"	Height	1.2"
Width	1.7"	Mounting Length	8.9"
Weight	2.09 lb		



WALL PLATE ACCESSORIES

