

Go2 Lite



4" Round Downlight

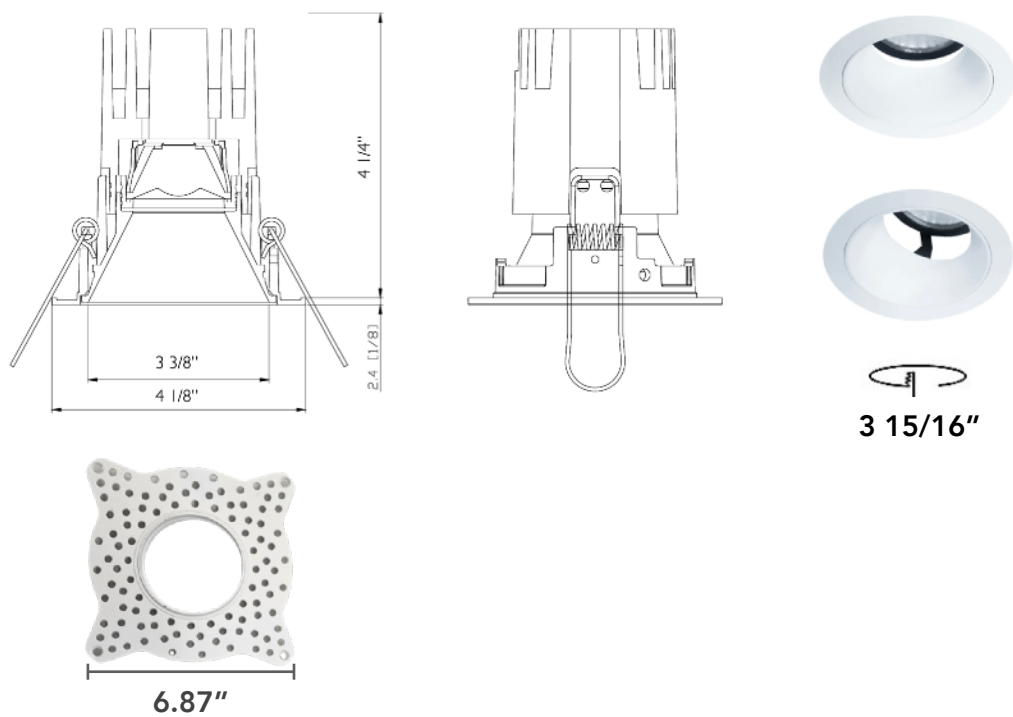


Go2 LITE FEATURES

LITE only in price point. Go2LITE is a durable commercial-grade downlight. Adjustable trim max tilt angle 0-30° / Horizontal Rotation 356° with position lock. Deep regress to control glare. UGR <13
 10W (870 lumens), 15 Watt (1355 lumens) and 23W (1800 lumens).
 High efficiency center beam options.
 Available in wall wash and pinhole trim.



SPECIFICATIONS



Input Voltage	100-277V AC
Wattage	10W / 15W / 23W
Delivered Lumens	870Lm-1800Lm
CRI	>90Ra
LED	SDCM=1x3 MacAdam Ellipse
Adjustability	Max Tilt Angle 30° / Horizontal Rotation Angle 356°
Dimming	Trial / 0-10v (100%-5%)
Lamp Life	50,000Hr
Environment	IP20/IP44
Heat Sink	Aluminum body with oxidized powder coating
Trim	Die-cast Aluminum
Operating Temp	-4° F - 104° F



Ordering Code:

Series	Size	Trim			Power	CCT			Finish							
		Reflector	Trim	Reflector		Trim										
Go2LT	4 4.0"	RT	Round Trimmed	F	Fixed	Leave Blank	10W	870Lm	27K	2700K	20D	20 Degree	SP	Specular	W	White
		RL	Round Trimless	A	Adjustable	SH	Shower Trim	15W	1355Lm	30K	3000K	30D	30 Degree	WH	White	B
				W	Wall Wash		23W	1800Lm	35K	3500K	40D	40 Degree	SV	Haze/Silver	C	Chrome
				P	Pinhole				40K	4000K	60D	60 Degree	SG	Specular Gold	RAL#	Custom
									D2W	Dim to warm			BK	Black		

D2W = 1800K-3000K

Accessory Lens	Environment	Dimming	Installation Type	Emergency Backup
— Solite Lens (included)	IP20 Dry	ELV Phase/Triac	NC New Construction Tray	EM4 4W / 90 Min
HL Hexcell Louver	IP44 Wet	D10 0-10V	RM Remodel (no NC Tray)	EM10 10W / 90 Min
LS Linear Spread			IC IC Rated	



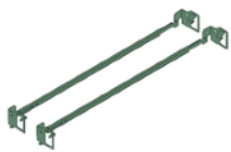
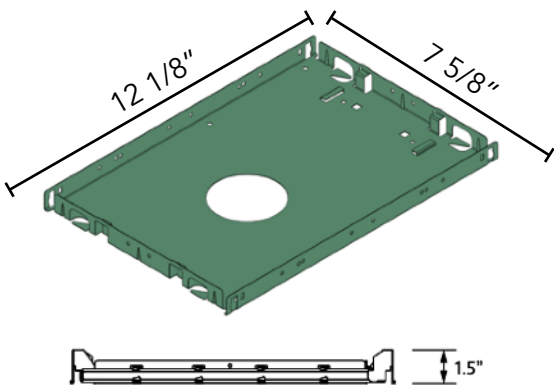
Go2 Lite



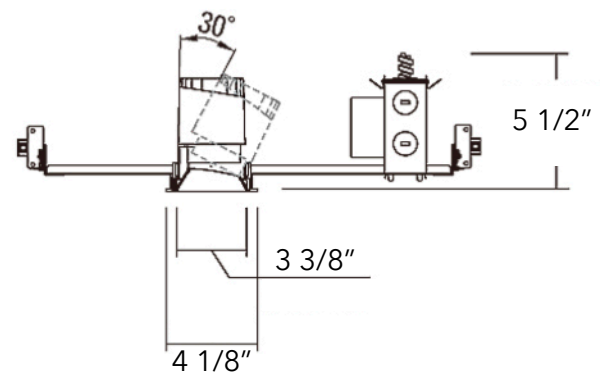
4" Round Downlight

Mounting Options

NC - New Construction Frame-In Tray

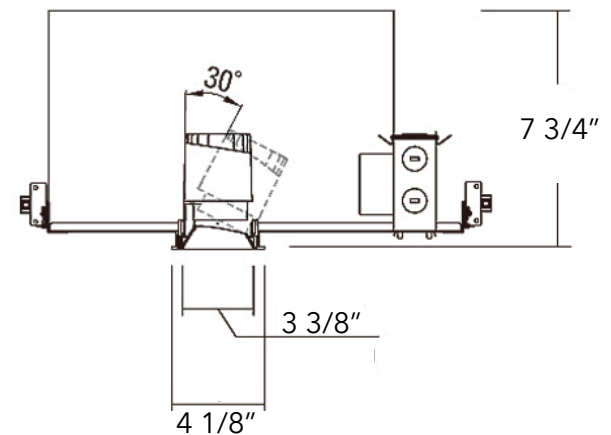


Standard bar hanger (included)
Mounting Length 14 3/4" - 26".
Extension kit can be ordered separately.

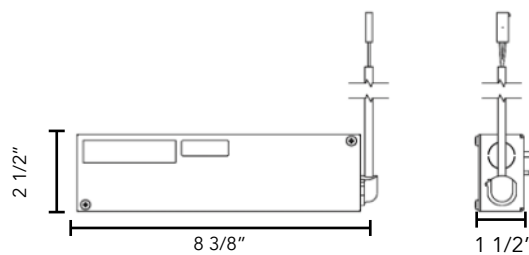
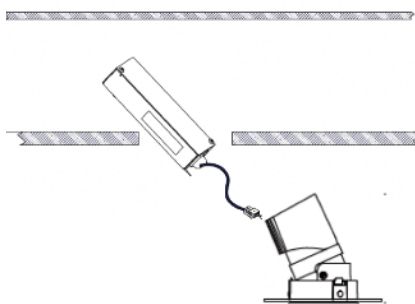


Ceiling Cut-out : Ø3-15/16" (Ø100mm)
Mounting Frame : 12-1/16" (307mm) X 7-5/8" (193.8mm)

IC - Insulated Ceiling Box



RM - Remodel without Frame-In Tray



Go2 Lite



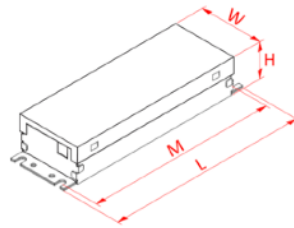
4" Round Downlight

Emergency

Primary Specifications:

Output Power Max	Input Power	Input Current Max	Emergency Operating Time	Battery	Input Voltage	Output Voltage	Ambient Operating Temperature	UL Listed for US and Canada
4 W	4 W	60 mA	90 min.	LiFePO ₄ 24 Hour recharge 7 to 10 year Life expectancy	120-277 Vac 50/60Hz	12-55 V ¹	0 °C through 55 °C	UL and cUL (UL924) Emergency LED Driver

Dimensions / Weight			
Length	5.3"	Height	1.0"
Width	1.7"	Mounting Length	5.4"
Weight	0.66 lb		



REMOTE TEST SWITCH

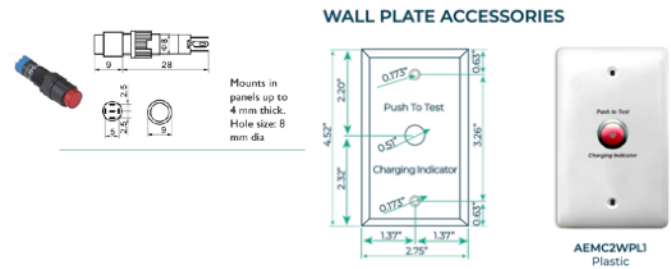
The Remote Test Switch may be mounted adjacent to the LED Fixture by others.

EMERGENCY BATTERY ACCESS

Above ceiling access is recommended for ease of service, but LED Fixture Sizes of 4" and Larger are capable of below ceiling access. IC/ICAT/CP Box and ITS option require an access panel in the ceiling (or other form of access) adjacent to the installation location of the Emergency Battery.

REMOTE LOCATION

Maximum remote mounting distance of the emergency driver shall be 50 feet. Remote location wiring provided by others. Follow all Local and National Electric/ Building Codes.



Primary Specifications:

Output Power Max	Input Power	Input Current Max	Emergency Operating Time	Battery	Input Voltage	Output Voltage	Ambient Operating Temperature	UL Listed for US and Canada
10 W	4 W	60 mA	90 min.	LiFePO ₄ 24 Hour recharge 7 to 10 year Life expectancy	120-277 Vac 50/60Hz	15-55 V ¹	0 °C through 55 °C	UL and cUL (UL924) Emergency LED Driver

miniature illuminated test switch

Dimensions / Weight			
Length	9.5"	Height	1.2"
Width	1.7"	Mounting Length	8.9"
Weight	2.09 lb		

