

Go2 Lite



3" Round Downlight

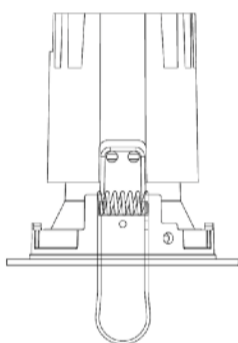
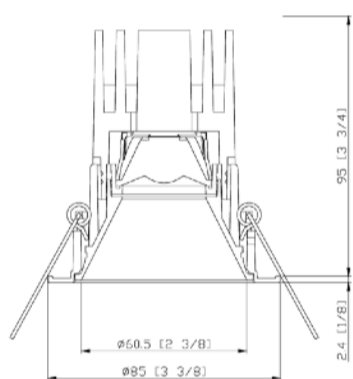


Go2 LITE FEATURES

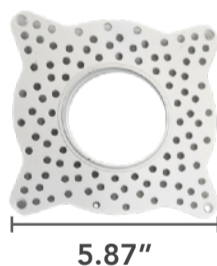
LITE only in price point. Go2LITE is a durable commercial-grade downlight. Adjustable trim max tilt angle 0-30° / Horizontal Rotation 356° with position lock. Deep regress to control glare. UGR <13
 10W (870 lumens), 15 Watt (1355 lumens)
 High efficiency center beam options.
 Available in wall wash and pinhole trim.



SPECIFICATIONS



2 7/8"



Input Voltage	100-277V AC
Wattage	10W / 15W
Delivered Lumens	870LM-1355Lm
CRI	>90Ra
LED	SDCM=1x3 MacAdam Ellipse
Adjustability	Max Tilt Angle 30° / Horizontal Rotation Angle 356°
Dimming	Trial / 0-10v (100%-5%)
Lamp Life	50,000Hr
Environment	IP20/IP44
Heat Sink	Aluminum body with oxidized powder coating
Trim	Die-cast Aluminum
Operating Temp	-4° F - 104° F



Ordering Code:

Series	Size	Trim			Power	CCT			Finish	
		RT Round Trimmed	RL Round Trimless	F Fixed		A Adjustable	W Wall Wash	P Pinhole	Leave Blank	SH Shower Trim
Go2LT	3 3.0"	RT	RL	F	A	10W 870Lm	27K 2700K	20D 20 Degree	SP Specular	W White
				W	P		30K 3000K	30D 30 Degree	WH White	B Black
						15W 1355Lm	35K 3500K	40D 40 Degree	SV Haze/Silver	C Chrome
							40K 400K	60D 60 Degree	SG Specular Gold	RAL# Custom
							D2W Dim to warm		BK Black	

D2W - 1800K-3000K

Accessory Lens	Environment	Dimming	Installation Type	Emergency Backup
___ Solite Lens (included)	IP20 Dry	ELV Phase/Triac	NC New Construction Tray	EM4 4W / 90 Min
HL Hexcell Louver	IP44 Wet	D10 0-10V	RM Remodel (no NC Tray)	EM10 10W / 90 Min
LS Linear Spread			IC IC Rated	



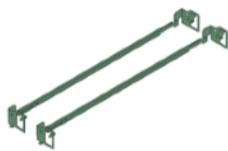
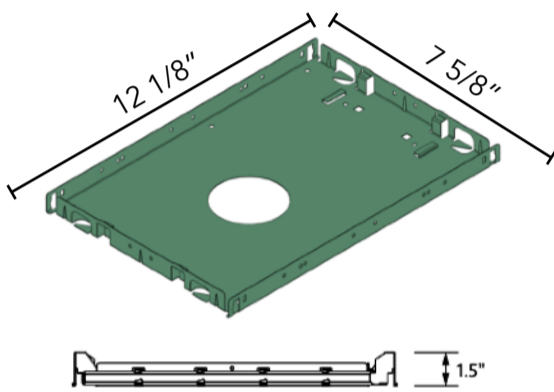
Go2 Lite



3" Round Downlight

Mounting Options

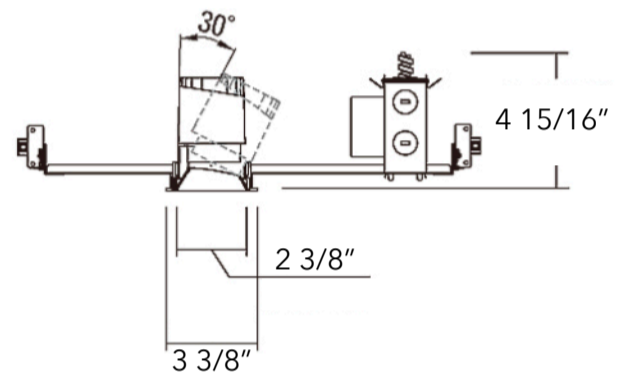
NC - New Construction Frame-In Tray



Standard bar hanger (included)

Mounting Length 14 3/4" - 26"

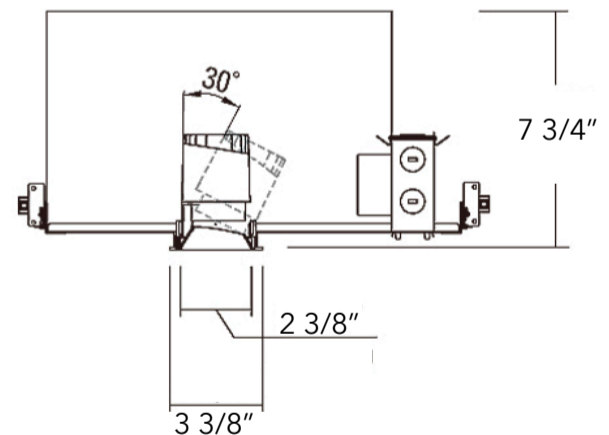
Extension kit can be ordered separately.



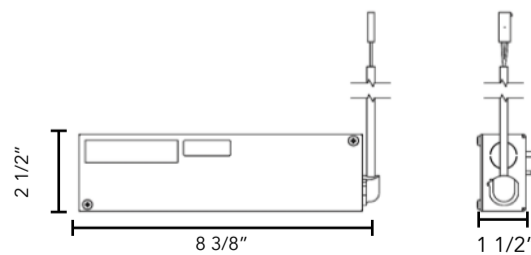
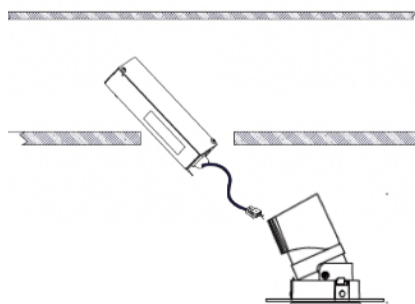
Ceiling Cut-out : Ø2-7/8" (Ø72mm)

Mounting Frame : 12-1/8" (307.3mm) X 7-5/8" (193.8mm)

IC - Insulated Ceiling Box



RM - Remodel without Frame-In Tray



Go2 Lite



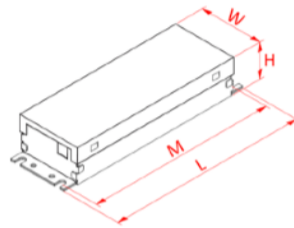
3" Round Downlight

Emergency

Primary Specifications:

Output Power Max	Input Power	Input Current Max	Emergency Operating Time	Battery	Input Voltage	Output Voltage	Ambient Operating Temperature	UL Listed for US and Canada
4 W	4 W	60 mA	90 min.	LiFePO ₄ 24 Hour recharge 7 to 10 year Life expectancy	120-277 Vac 50/60Hz	12-55 V ¹	0 °C through 55 °C	UL and cUL (UL924) Emergency LED Driver

Dimensions / Weight			
Length	5.3"	Height	1.0"
Width	1.7"	Mounting Length	5.4"
Weight	0.66 lb		



REMOTE TEST SWITCH

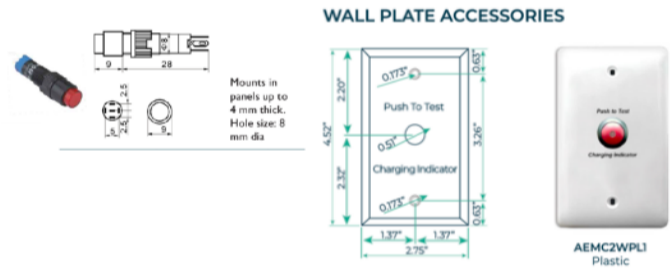
The Remote Test Switch may be mounted adjacent to the LED Fixture by others.

EMERGENCY BATTERY ACCESS

Above ceiling access is recommended for ease of service, but LED Fixture Sizes of 4" and Larger are capable of below ceiling access. IC/ICAT/CP Box and ITS option require an access panel in the ceiling (or other form of access) adjacent to the installation location of the Emergency Battery.

REMOTE LOCATION

Maximum remote mounting distance of the emergency driver shall be 50 feet. Remote location wiring provided by others. Follow all Local and National Electric/ Building Codes.



Primary Specifications:

Output Power Max	Input Power	Input Current Max	Emergency Operating Time	Battery	Input Voltage	Output Voltage	Ambient Operating Temperature	UL Listed for US and Canada
10 W	4 W	60 mA	90 min.	LiFePO ₄ 24 Hour recharge 7 to 10 year Life expectancy	120-277 Vac 50/60Hz	15-55 V ¹	0 °C through 55 °C	UL and cUL (UL924) Emergency LED Driver

miniature illuminated test switch

Dimensions / Weight			
Length	9.5"	Height	1.2"
Width	1.7"	Mounting Length	8.9"
Weight	2.09 lb		

