

# Go2 4" Downlight

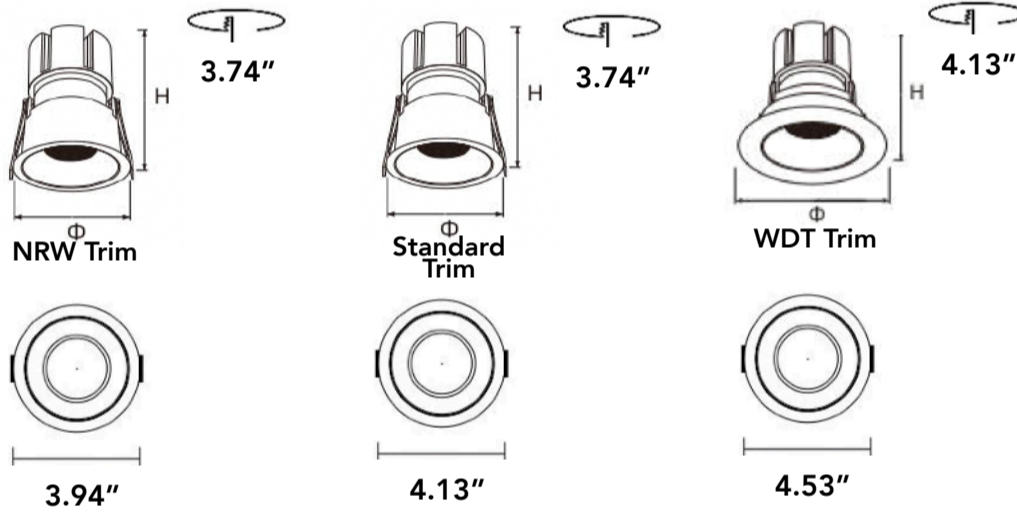


## FEATURES

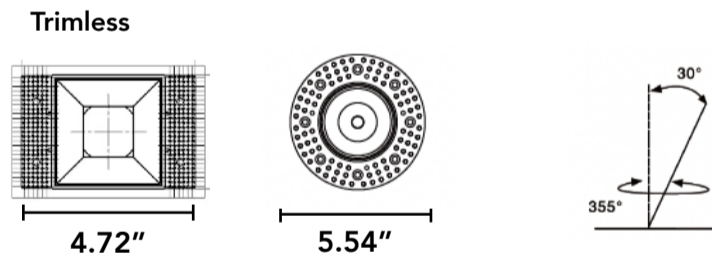
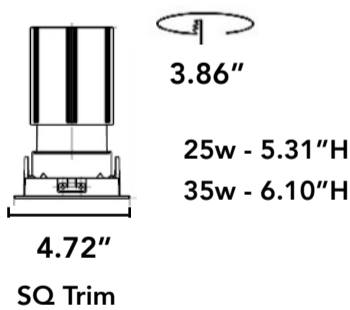
Modular design, field replaceable LED module, trim, beam lens, and accessories.  
 Interchangeable secondary reflector options for glare control and maximum visual comfort.  
 Quiet ceiling achieved through deep regress.  
 Precise light control, 15°/24°/36°/50° TIR lens and Reflector options in 20°/30°/40°/60°  
 Offered standard with flicker free dimming to .1%.

**Type IC Rated - approved for direct contact with insulation.**  
**No IC housing needed.**

## SPECIFICATIONS



25w - 5.15" H  
 35w - 5.55" H



<b>Input Voltage</b>	100-277V AC
<b>Wattage</b>	25W / 35W
<b>Delivered Lumens</b>	2000Lm - 2950Lm
<b>LED</b>	<3-Step MacAdam Ellipse (2-Step Available)
<b>CCT</b>	27K, 30K, 35K, 40K (other CCTs available)
<b>CRI</b>	>90Ra
<b>Adjustability</b>	Max Tilt Angle 30° / Horizontal Rotation Angle 355°
<b>Lamp Life</b>	50,000Hr
<b>Environment</b>	IP20 & IP44 / IP54 upon request
<b>Heat Sink</b>	Aluminum body with oxidized powder coating
<b>Trim</b>	Die-cast Aluminum
<b>Operating Temp</b>	-4° F - 104° F

### Ordering Code:

Series	Size		Trim			Power		CCT		Optic		Finish																								
			RT	RL	ST	SL	F	A	W	S*	NR	WD	25W	35W	27K	30K	35K	40K	R20	R30	R40	R60	15D	24D	36D	50D	WH	BL	SV	SP	SB	SG	W	B	RAL#	
Go2	4	4.0"	Round Trimmed	Round Trimless	Square Trimmed	Square Trimless	Fixed	Adjustable	Wall Wash	Shower Trim	Standard Trim	Narrow Trim	Wide Trim	25W	35W	2700K	3000K	3500K	4000K	20 Degree	30 Degree	40 Degree	60 Degree	15 Degree	24 Degree	36 Degree	50 Degree	White	Black	Silver	Specular	Specular Black	Specular Gold	White	Black	Custom

Accessory Lens	Environment	Dimming	Installation Type	Emergency Backup
SF Soft Focus SL Solite Lens HL Hexcell Louver LS Linear Spread	IP20 Dry IP44 Wet	ELV Phase/Triac (3%) D10 0-10V (.1%) DAL DALI	NC New Construction Tray RM Remodel (no NC Tray) AT/CP Airtight/Chicago Plenum WC Wood Ceiling	EM10 10W / 90 Min



# Go2

## 4" Downlight

# BINA COMPANY

### Trim Options



Narrow Trim (NR)



Standard Trim



Wide Trim (WD)

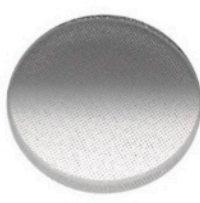


Square Trim

### Reflector Options



### Optical Lens



# Go2 4" Downlight



## Performance

92 CRI / 2700K	15 Degree	24 Degree	36 Degree	55 Degree
25W	1679Lm	1870Lm	1908Lm	1717
35W	2511Lm	2796Lm	2853Lm	2568Lm

92 CRI / 3000K	15 Degree	24 Degree	36 Degree	55 Degree
25W	1868Lm	2081Lm	2123Lm	1911Lm
35W	2615Lm	2913Lm	2972Lm	2675Lm

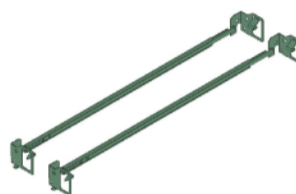
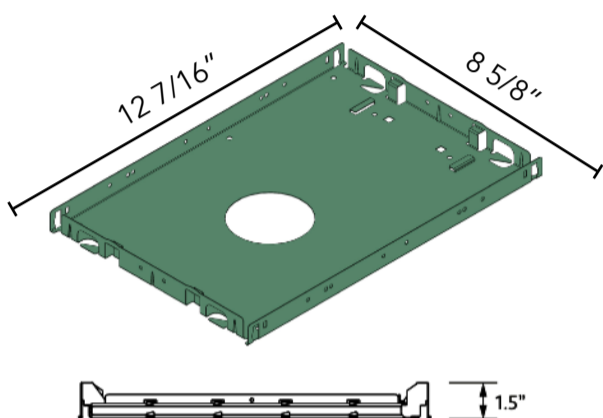
Preliminary, pre-launch test-data. Delivered lumen values +/- 5%. Optical filters will reduce delivered lumen values

# Go2 4" Downlight



## Mounting Options

### NC - New Construction Frame-In Tray



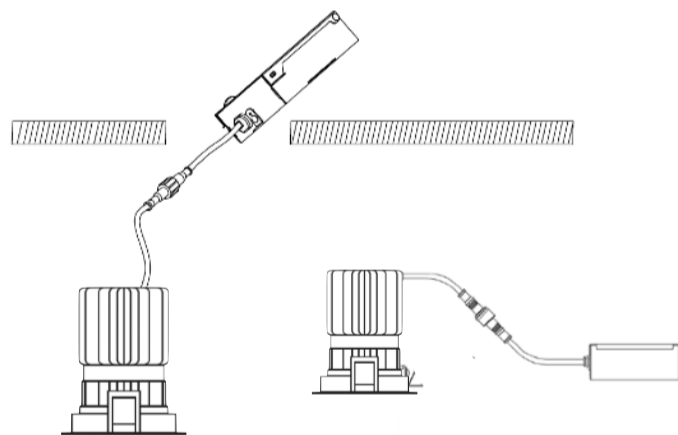
Standard bar hanger (included)  
Mounting Length 14 3/4" - 26".  
Extension kit can be ordered separately.



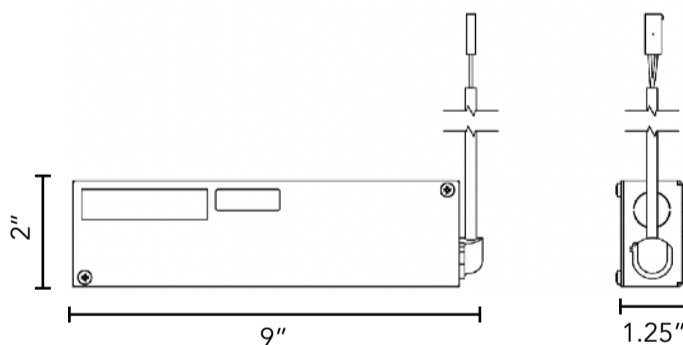
Commercial bar hanger #1487  
Butterfly and Caterpillar brackets available



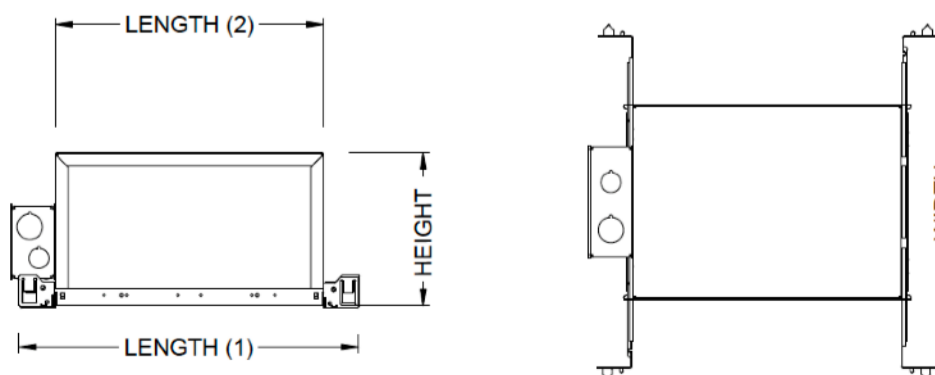
### Remodel Mounting



### LED Driver Enclosure and Junction Box



### Chicago Plenum / Airtight



Length	Width	Height
11 3/4"	8 1/2"	6 3/4"



# Go2

## 4" Downlight

# BINA COMPANY

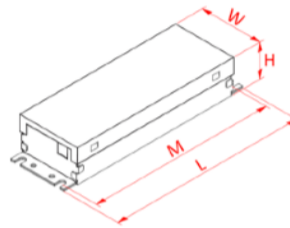
### Emergency

#### Primary Specifications:

Output Power Max	Input Power	Input Current Max	Emergency Operating Time	Battery	Input Voltage	Output Voltage	Ambient Operating Temperature	UL Listed for US and Canada
4 W	4 W	60 mA	90 min.	LiFePO <sub>4</sub> 24 Hour recharge 7 to 10 year Life expectancy	120-277 Vac 50/60Hz	12-55 V <sup>1</sup>	0 °C through 55 °C	UL and cUL (UL924) Emergency LED Driver

#### Dimensions / Weight

Length	5.3"	Height	1.0"
Width	1.7"	Mounting Length	5.4"
Weight	0.66 lb		



#### REMOTE TEST SWITCH

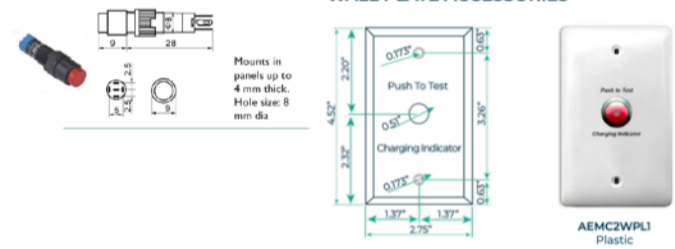
The Remote Test Switch may be mounted adjacent to the LED Fixture by others.

#### EMERGENCY BATTERY ACCESS

Above ceiling access is recommended for ease of service, but LED Fixture Sizes of 4" and Larger are capable of below ceiling access. IC/ICAT/CP Box and ITS option require an access panel in the ceiling (or other form of access) adjacent to the installation location of the Emergency Battery.

#### REMOTE LOCATION

Maximum remote mounting distance of the emergency driver shall be 50 feet. Remote location wiring provided by others. Follow all Local and National Electric/ Building Codes.



#### Primary Specifications:

Output Power Max	Input Power	Input Current Max	Emergency Operating Time	Battery	Input Voltage	Output Voltage	Ambient Operating Temperature	UL Listed for US and Canada
10 W	4 W	60 mA	90 min.	LiFePO <sub>4</sub> 24 Hour recharge 7 to 10 year Life expectancy	120-277 Vac 50/60Hz	15-55 V <sup>1</sup>	0 °C through 55 °C	UL and cUL (UL924) Emergency LED Driver

#### Dimensions / Weight

Length	9.5"	Height	1.2"
Width	1.7"	Mounting Length	8.9"
Weight	2.09 lb		

