

Go2

3" Downlight

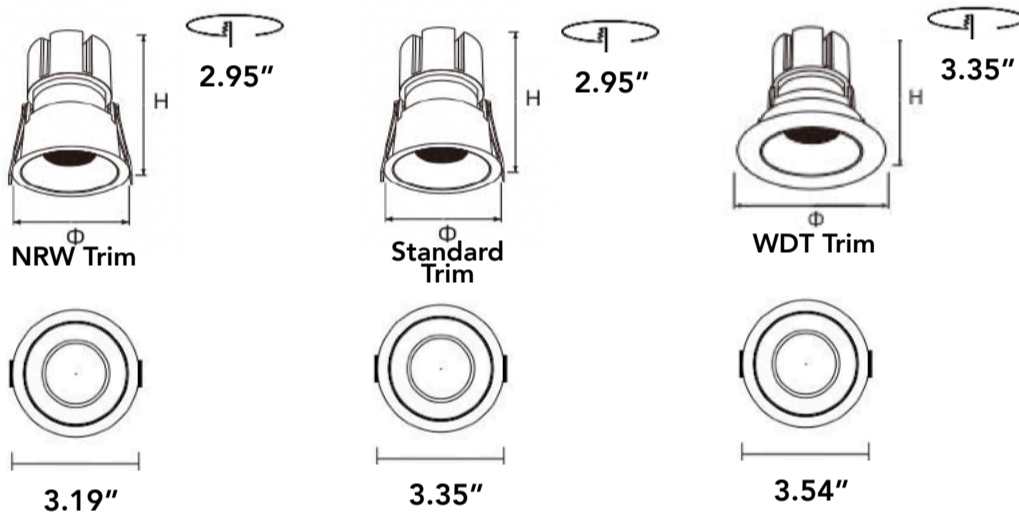
BINA COMPANY



FEATURES

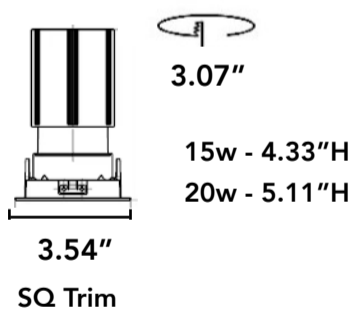
Modular design, field replaceable LED module, trim, beam lens, and accessories.
 Interchangeable secondary reflector options for glare control and maximum visual comfort.
 Quiet ceiling achieved through deep regress.
 Precise light control, 20°/30°/40°/60° Reflector and TIR lens options in 15°/24°/36°/50°
 Offered standard with flicker free dimming to .1%.
Type IC Rated - approved for direct contact with insulation.
No IC housing needed.

SPECIFICATIONS

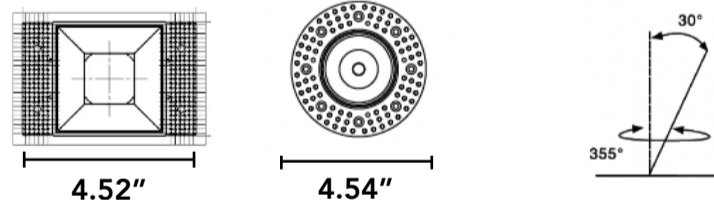


Input Voltage	100-277V AC
Wattage	15W / 20W
Delivered Lumens	1230Lm - 1640Lm
LED	<3-Step MacAdam Ellipse (2-Step Available)
CCT	27K, 30K, 35K, 40K (other CCTs available)
CRI	>90Ra
Adjustability	Max Tilt Angle 30° / Horizontal Rotation Angle 355°
Lamp Life	50,000Hr
Environment	IP20 & IP44 / IP54 upon request
Heat Sink	Aluminum body with oxidized powder coating
Trim	Die-cast Aluminum
Operating Temp	-4° F - 104° F

15w - 4.15"H
 20w - 4.96"H



Trimless



Ordering Code:

Series	Size	Trim			Power	CCT	Optic				Finish			
		RT	RL	ST			SL	F	A	W	S*	NR	WD	Reflector Lens
Go2	3 3.0"	RT	Round Trimmed	F	Fixed	15W 1200Lm 20W 1600Lm	27K 2700K 30K 3000K 35K 3500K 40K 4000K	R20	20 Degree	15D	15 Degree	WH White BL Black SV Silver SP Specular SB Specular Black SG Specular Gold	W White B Black RAL# Custom	
		RL	Round Trimless	A	Adjustable			R30	30 Degree	24D	24 Degree			
		ST	Square Trimmed	W	Wall Wash			R40	40 Degree	36D	36 Degree			
		SL	Square Trimless	S*	Shower Trim			R60	60 Degree	50D	50 Degree			

*Non-conductive trim for shower
Leave blank for standard, trimless or square trim options
* choose between reflector lens or TIR lens. For 10 Degree Optic, inquire with factory.

Accessory Lens	Environment	Dimming	Installation Type	Emergency Backup
SF Soft Focus SL Solite Lens HL Hexcell Louver LS Linear Spread	IP20 Dry IP44 Wet	ELV Phase/Triac (3%) D10 0-10V (.1%) DAL DALI	NC New Construction Tray RM Remodel (no NC Tray) AT/CP Airtight/Chicago Plenum WC Wood Ceiling	EM10 10W / 90 Min



Go2

3" Downlight

BINA COMPANY

Trim Options



Narrow Trim (NR)



Standard Trim



Wide Trim (WD)



Square Trim

Reflector Options



Specular



Black Specular



Gold

Optical Lens



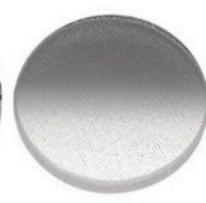
Soft Focus



Honeycomb



Linear Spread



Solite

Go2 3" Downlight



Performance

92 CRI / 2700K	20 Degree	30 Degree	40 Degree	60 Degree
15W	1109Lm	1139Lm	1176Lm	1076Lm
20W	1479Lm	1519Lm	1568Lm	1434Lm

92 CRI / 3000K	15 Degree	24 Degree	36 Degree	50 Degree
15W	1154Lm	1185Lm	1223Lm	1119Lm
20W	1538Lm	1580Lm	1631Lm	1491Lm

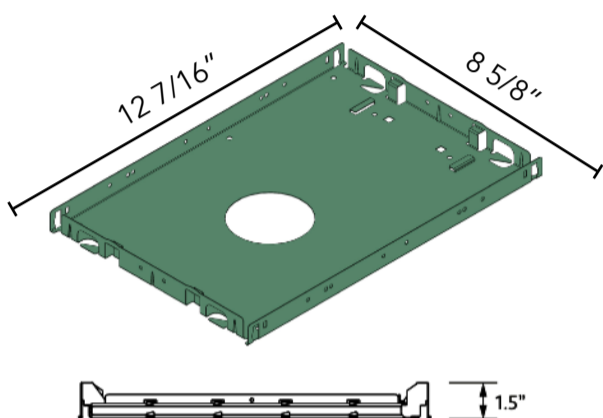
Preliminary, pre-launch test-data. Delivered lumen values +/- 5%. Optical filters will reduce delivered lumen values

Go2 3" Downlight



Mounting Options

NC - New Construction Frame-In Tray



Standard bar hanger (included)
Mounting Length 14 3/4" - 26".
Extension kit can be ordered separately.

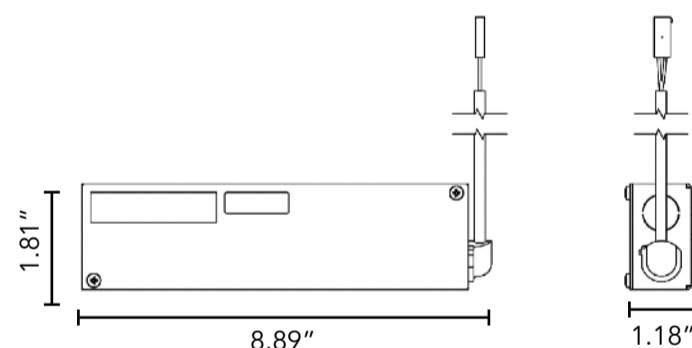
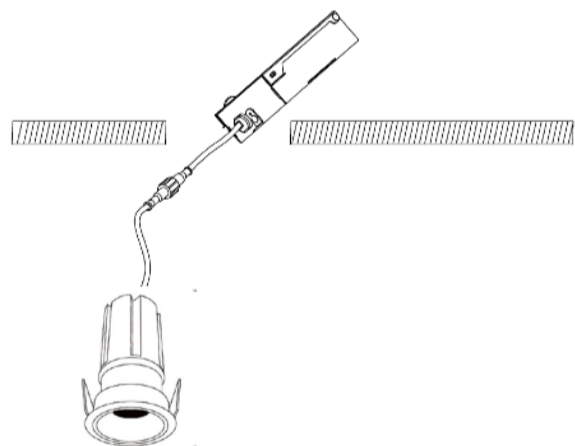


Commercial bar hanger #1487
Butterfly and Caterpillar brackets available

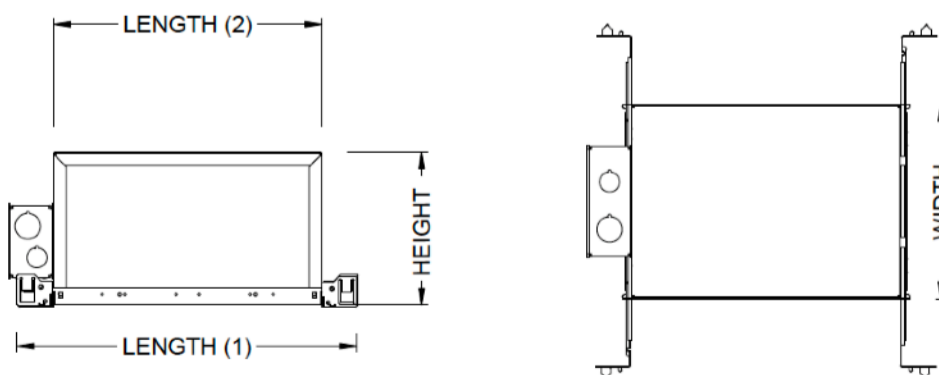
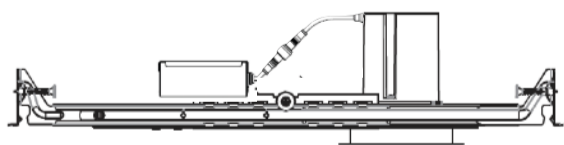


New Construction & Remodel Mounting

LED Driver Enclosure and Junction Box



Chicago Plenum / Airtight



Note: Small fixture housing and driver enclosure box assembly can be used for both new construction and remodel. For remodel application, no new construction tray is needed.

The ceiling cutout opening will be too small to fit your hand through it. So it is very important that the LED driver remains accessible by removing the lighting fixture, thus allowing you to inspect the connectors or LED driver at any time without physically damaging your ceiling or other building materials.

This mounting allows for installation from below the ceiling and full serviceability of the LED driver and driver/junction box.

Length	Width	Height
11 3/4"	8 1/2"	4 3/4"
		6 3/4"

Go2

3" Downlight



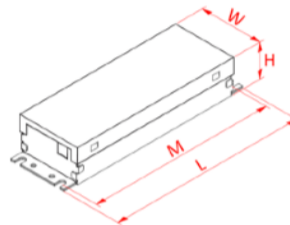
Emergency

Primary Specifications:

Output Power Max	Input Power	Input Current Max	Emergency Operating Time	Battery	Input Voltage	Output Voltage	Ambient Operating Temperature	UL Listed for US and Canada
4 W	4 W	60 mA	90 min.	LiFePO ₄ 24 Hour recharge 7 to 10 year Life expectancy	120-277 Vac 50/60Hz	12-55 V ¹	0 °C through 55 °C	UL and cUL (UL924) Emergency LED Driver

Dimensions / Weight

Length	5.3"	Height	1.0"
Width	1.7"	Mounting Length	5.4"
Weight	0.66 lb		



REMOTE TEST SWITCH

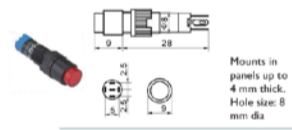
The Remote Test Switch may be mounted adjacent to the LED Fixture by others.

EMERGENCY BATTERY ACCESS

Above ceiling access is recommended for ease of service, but LED Fixture Sizes of 4" and Larger are capable of below ceiling access. IC/ICAT/CP Box and ITS option require an access panel in the ceiling (or other form of access) adjacent to the installation location of the Emergency Battery.

REMOTE LOCATION

Maximum remote mounting distance of the emergency driver shall be 50 feet. Remote location wiring provided by others. Follow all Local and National Electric/ Building Codes.



WALL PLATE ACCESSORIES



Primary Specifications:

Output Power Max	Input Power	Input Current Max	Emergency Operating Time	Battery	Input Voltage	Output Voltage	Ambient Operating Temperature	UL Listed for US and Canada
10 W	4 W	60 mA	90 min.	LiFePO ₄ 24 Hour recharge 7 to 10 year Life expectancy	120-277 Vac 50/60Hz	15-55 V ¹	0 °C through 55 °C	UL and cUL (UL924) Emergency LED Driver

Dimensions / Weight

Length	9.5"	Height	1.2"
Width	1.7"	Mounting Length	8.9"
Weight	2.09 lb		

