

# Go2 2" Downlight

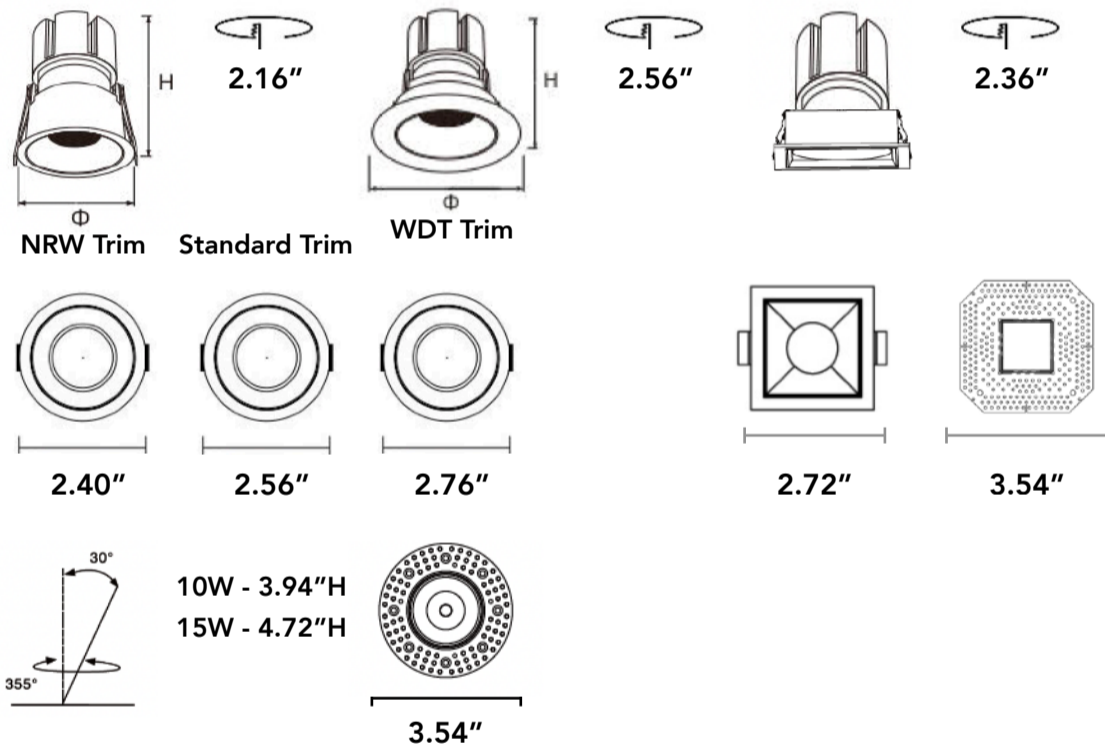


## FEATURES

Modular design, field replaceable LED module, trim, beam lens, and accessories.  
 Interchangeable secondary reflector options for glare control and maximum visual comfort.  
 Quiet ceiling achieved through deep regress.  
 Precise light control, 15°/24°/36°/50° TIR lens and Reflector lens options in 20°/30°/40°/60°  
 Offered standard with flicker free dimming to .1%.

**Type IC rated - approved for direct contact with insulation.**  
**No IC housing needed.**

## SPECIFICATIONS



<b>Input Voltage</b>	100-277V AC
<b>Wattage</b>	10W-15W
<b>Delivered Lumens</b>	640Lm - 1200Lm
<b>LED</b>	<3-Step MacAdam Ellipse (2-Step Available)
<b>CCT</b>	27K, 30K, 35K, 40K (other CCTs available)
<b>CRI</b>	>90Ra
<b>Adjustability</b>	Max Tilt Angle 30° / Horizontal Rotation Angle 355°
<b>Lamp Life</b>	50,000Hr
<b>Environment</b>	IP20 & IP44
<b>Heat Sink</b>	Aluminum body with oxidized powder coating
<b>Trim</b>	Die-cast Aluminum
<b>Operating Temp</b>	-4° F - 104° F

## Ordering Code:

Series	Size	Trim			Power	CCT	Optic		Finish			
		RT	F	Standard Trim			Reflector Lens	OR	TIR Lens	Reflector	Trim	
Go2	2 2.0"	RL	A	NR	10W 800Lm	27K 2700K	R20	15D	WH	W		
		ST	W	WD			15W 1200Lm	30K 3000K	R30	24D	BL	B
		SL	S*				35K 3500K	35K 3500K	R40	36D	SV	RAL#
							40K 4000K	40K 4000K	R60	50D	SP	
											50D	SB

*\*Non-conductive trim for shower*  
*Leave blank for standard, trimless or square trim options*  
 \* choose between reflector lens or TIR lens. For 10 Degree Optic, inquire with factory.

Accessory Lens	Environment	Dimming	Installation Type	Emergency Backup
SF Soft Focus	IP20 Dry	ELV Phase/Triac (3%)	NC New Construction Tray	EM5 5W / 90 Min
SL Solite Lens	IP44 Wet	D10 0-10V (.1%)	RM Remodel (no NC Tray)	EM10 10W / 90 Min
HL Hexcell Louver		DAL DALI	AT/CP Airtight/Chicago Plenum	
LS Linear Spread			WC Wood Ceiling	



# Go2

## 2" Downlight

# BINA COMPANY

### Trim Options

2.40"



Narrow Trim (NR)

2.56"



Standard Trim

2.76"



Wide Trim (WD)

2.72"



Square Trim (ST)

### Reflector Options

White



Black



Silver



Specular



Black Specular



Gold

### Optical Lens



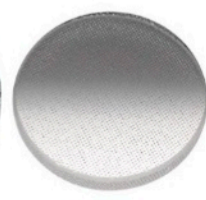
Soft Focus



Honeycomb



Linear Spread



Solite

# Go2 2" Downlight



## Performance

92 CRI / 2700K	15 Degree	24 Degree	36 Degree	50 Degree
10W	688Lm	764Lm	753Lm	731Lm
15W	1031Lm	1146Lm	1128Lm	1097Lm

92 CRI / 3000K	15 Degree	24 Degree	36 Degree	50 Degree
10W	715Lm	795Lm	782Lm	761Lm
15W	1072Lm	1192Lm	1173Lm	1141Lm

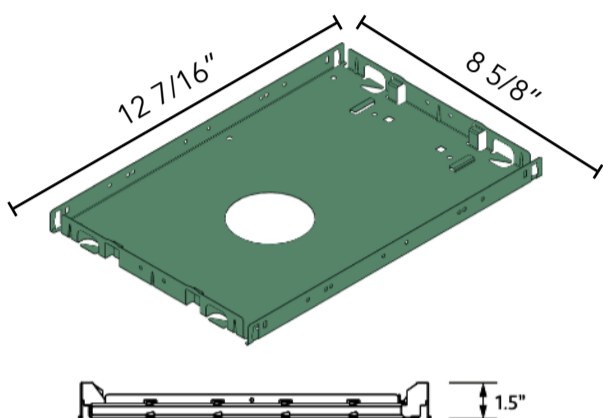
Preliminary, pre-launch test-data. Delivered lumen values +/- 5%. Optical filters will reduce delivered lumen values

# Go2 2" Downlight



## Mounting Options

### NC - New Construction Frame-In Tray



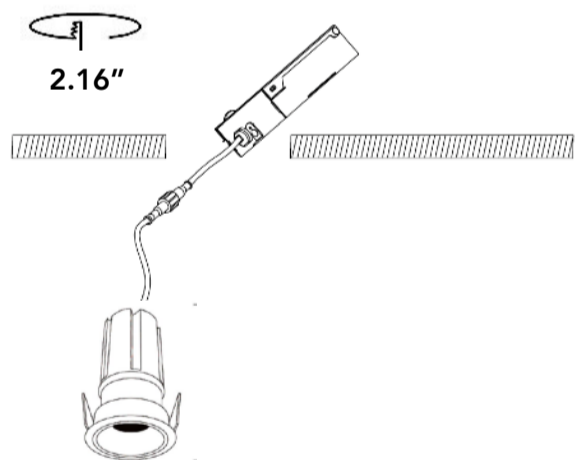
Standard bar hanger (included)  
Mounting Length 14 3/4" - 26".  
Extension kit can be ordered separately.



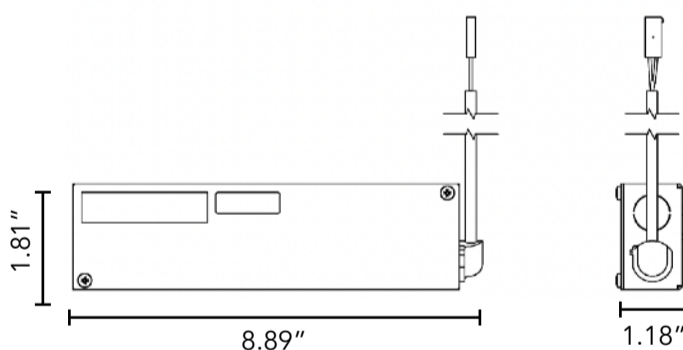
Commercial bar hanger #1487  
Butterfly and Caterpillar brackets available



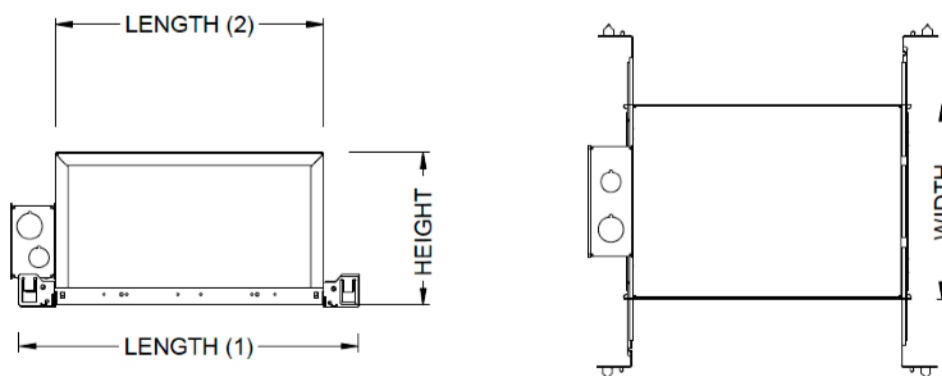
### New Construction & Remodel Mounting



### LED Driver Enclosure and Junction Box



### Chicago Plenum / Airtight



Note: Small fixture housing and driver enclosure box assembly can be used for both new construction and remodel. For remodel application, no new construction tray is needed.

The ceiling cutout opening will be too small to fit your hand through it. So it is very important that the LED driver remains accessible by removing the lighting fixture, thus allowing you to inspect the connectors or LED driver at any time without physically damaging your ceiling or other building materials.

This mounting allows for installation from below the ceiling access and full serviceability of the LED driver and driver/junction box.

Length	Width	Height
11 3/4"	8 1/2"	4 3/4"
		6 3/4"





# 2.5" Downlight



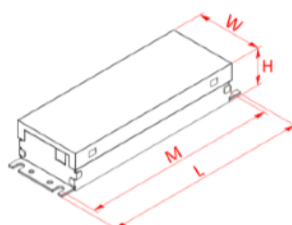
## Emergency

### Primary Specifications:

Output Power Max	Input Power	Input Current Max	Emergency Operating Time	Battery	Input Voltage	Output Voltage	Ambient Operating Temperature	UL Listed for US and Canada
4 W	4 W	60 mA	90 min.	LiFePO <sub>4</sub> 24 Hour recharge 7 to 10 year Life expectancy	120-277 Vac 50/60Hz	12-55 V <sup>1</sup>	0 °C through 55 °C	UL and cUL (UL924) Emergency LED Driver

### Dimensions / Weight

Length	5.3"	Height	1.0"
Width	1.7"	Mounting Length	5.4"
Weight	0.66 lb		



### REMOTE TEST SWITCH

The Remote Test Switch may be mounted adjacent to the LED Fixture by others.

### EMERGENCY BATTERY ACCESS

Above ceiling access is recommended for ease of service, but LED Fixture Sizes of 4" and Larger are capable of below ceiling access. IC/ICAT/CP Box and ITS option require an access panel in the ceiling (or other form of access) adjacent to the installation location of the Emergency Battery.

### REMOTE LOCATION

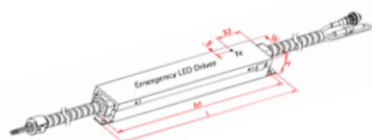
Maximum remote mounting distance of the emergency driver shall be 50 feet. Remote location wiring provided by others. Follow all Local and National Electric/ Building Codes.

### Primary Specifications:

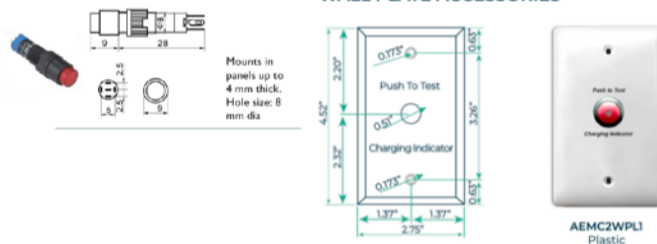
Output Power Max	Input Power	Input Current Max	Emergency Operating Time	Battery	Input Voltage	Output Voltage	Ambient Operating Temperature	UL Listed for US and Canada
10 W	4 W	60 mA	90 min.	LiFePO <sub>4</sub> 24 Hour recharge 7 to 10 year Life expectancy	120-277 Vac 50/60Hz	15-55 V <sup>1</sup>	0 °C through 55 °C	UL and cUL (UL924) Emergency LED Driver

### Dimensions / Weight

Length	9.5"	Height	1.2"
Width	1.7"	Mounting Length	8.9"
Weight	2.09 lb		



### WALL PLATE ACCESSORIES



AEMC2WPL1 Plastic

