

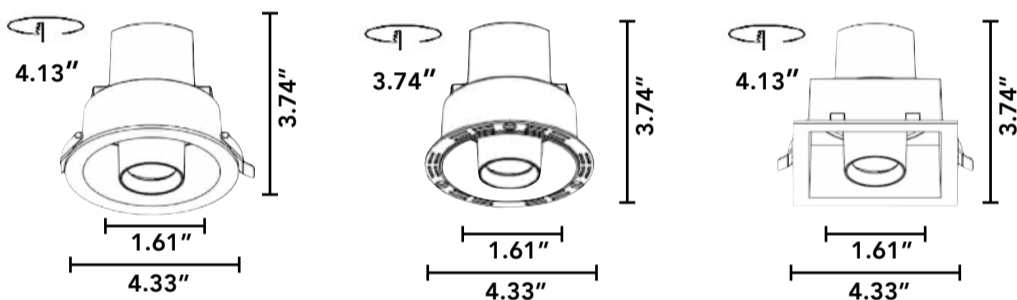
COCKATOO



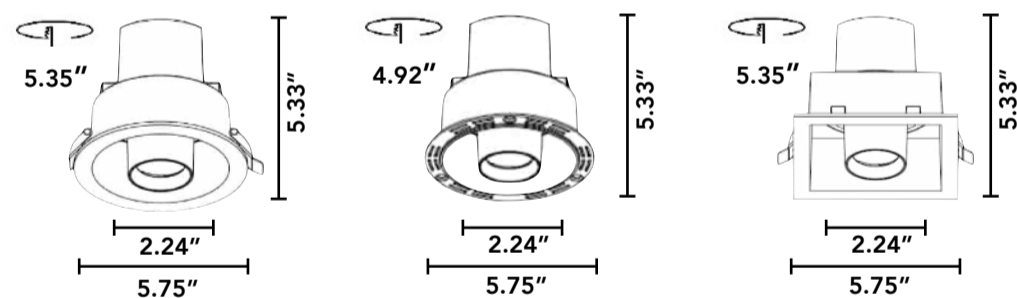
Taking its name from its unique light head, COCKATOO has a retractable head that can be adjusted and rotated 360 degrees.
 Offered in square and round, with both trimmed and trimless options
 Standard CCTs 27K, 30K, 40K, 50K, 60K
 Black and White finish options

SPECIFICATIONS

10W



20W



Input Voltage	100-277V AC
Wattage	10W / 20W
Delivered Lumens	758Lm - 1656Lm +/-5%
LED	<3-Step MacAdam Ellipse (2-Step Available)
CCT	27K, 30K, 35K, 40K, D2W, TW
CRI	>90Ra
Beam Angle	15°/24°/36°
Adjustability	Max Tilt Angle 45° / Horizontal Rotation Angle 355°
Dimming	Trimmode Dimming / Triac / 0-10V (100%-1%)
Lamp Life	50,000Hr
Environment	IP20
Operating Temp	-4° F - 104° F

Ordering Code:

Series	Size	Trim	CCT	Optic	Finish	Installation Type	Driver	Emergency
CA2	41 1.61"	T Trimmed	27K 2700K	16 15 degree	WH White	NC New Construction	ELV ELV/TRIAC Phase Cutting 3%	EM4 4 watts / 90 mins
	57 2.24"	L Trimless S* Square *Trimmed only	30K 3000K 35K 3500K 40K 4000K WD Warm Dim TW Tunable White	24 24 degree 36 36 degree	BL Black	IC Insulation Contact CP Chicago Plenum	D10 0/1-10V (100% - 1%) DAL DALI-2 Dim to off 0.1% P01 Premium Driver 0.1% LOG	EM10 10 watts / 90 mins

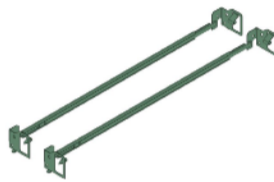
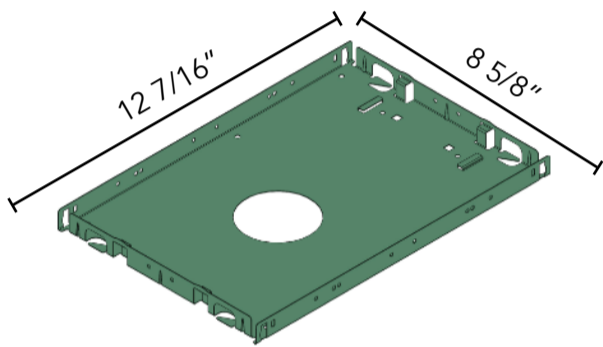


COCKATOO



Mounting Options

NC - New Construction Frame-In Tray

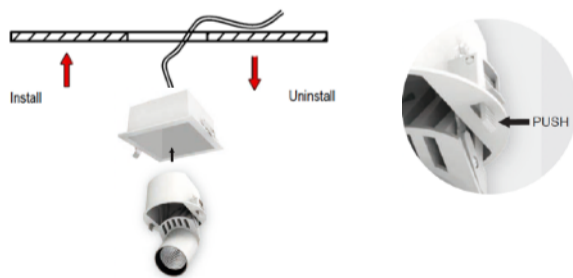


Standard bar hanger (included)
Mounting Length 14 3/4" - 26".
Extension kit can be ordered separately.

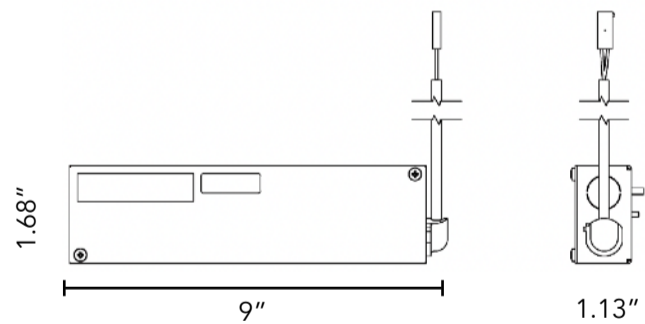
Commercial bar hanger #1487
Butterfly and Caterpillar brackets available



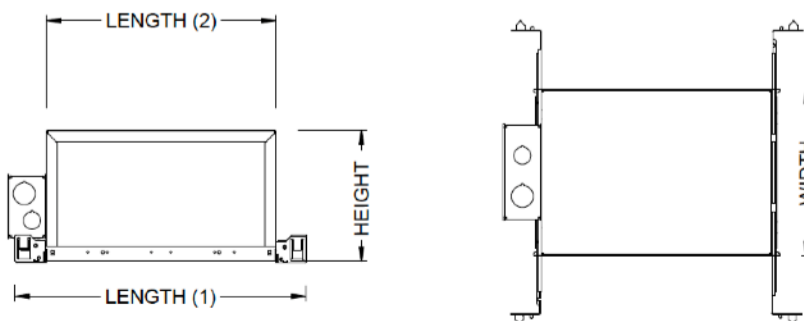
New Construction/Remodel Mounting



LED Driver Enclosure and Junction Box



IC / Chicago Plenum / Airtight



Length	Width	Height
11 3/4"	8 1/2"	6 3/4"

COCKATOO



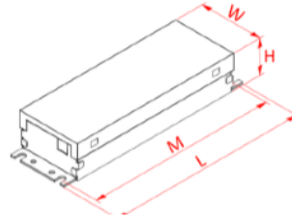
Emergency Backup

Primary Specifications:

Output Power Max	Input Power	Input Current Max	Emergency Operating Time	Battery	Input Voltage	Output Voltage	Ambient Operating Temperature	UL Listed for US and Canada
4 W	4 W	60 mA	90 min.	LiFePO ₄ 24 Hour recharge 7 to 10 year Life expectancy	120-277 Vac 50/60Hz	12-55 V ¹	0 °C through 55 °C	UL and cUL (UL924) Emergency LED Driver

Dimensions / Weight

Length	5.3"	Height	1.0"
Width	1.7"	Mounting Length	5.4"
Weight	0.66 lb		



REMOTE TEST SWITCH

The Remote Test Switch may be mounted adjacent to the LED Fixture by others.

EMERGENCY BATTERY ACCESS

Above ceiling access is recommended for ease of service, but LED Fixture Sizes of 4" and Larger are capable of below ceiling access. IC/ICAT/CP Box and ITS option require an access panel in the ceiling (or other form of access) adjacent to the installation location of the Emergency Battery.

REMOTE LOCATION

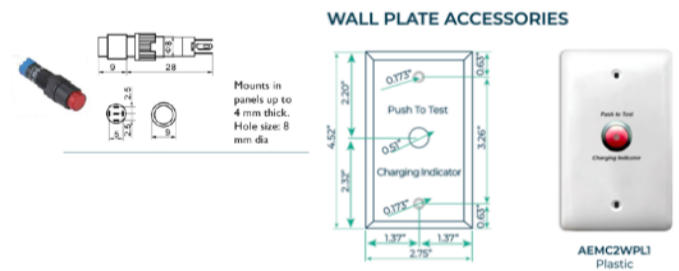
Maximum remote mounting distance of the emergency driver shall be 50 feet. Remote location wiring provided by others. Follow all Local and National Electric/ Building Codes.

Primary Specifications:

Output Power Max	Input Power	Input Current Max	Emergency Operating Time	Battery	Input Voltage	Output Voltage	Ambient Operating Temperature	UL Listed for US and Canada
4 W	4 W	60 mA	90 min.	LiFePO ₄ 24 Hour recharge 7 to 10 year Life expectancy	120-277 Vac 50/60Hz	12-55 V ¹	0 °C through 55 °C	UL and cUL (UL924) Emergency LED Driver

Dimensions / Weight

Length	5.3"	Height	1.0"
Width	1.7"	Mounting Length	5.4"
Weight	0.66 lb		



Primary Specifications:

Output Power Max	Input Power	Input Current Max	Emergency Operating Time	Battery	Input Voltage	Output Voltage	Ambient Operating Temperature	UL Listed for US and Canada
10 W	4 W	60 mA	90 min.	LiFePO ₄ 24 Hour recharge 7 to 10 year Life expectancy	120-277 Vac 50/60Hz	15-55 V ¹	0 °C through 55 °C	UL and cUL (UL924) Emergency LED Driver

Dimensions / Weight

Length	9.5"	Height	1.2"
Width	1.7"	Mounting Length	8.9"
Weight	2.09 lb		

