

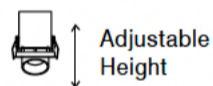
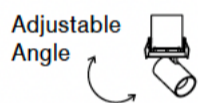


CRANE's unique design allows you to adjust the distance it illuminates, supporting 90°-180° up and down adjustment, and 0-355° rotation.

Comes in standard CCTs 27K, 30K, 40K, 50K, 60K, including warm dim and tunable white.

Standard finish is black and white. Custom finish available upon request.

SPECIFICATIONS



Input Voltage	100-277V AC
LED	<3-Step MacAdam Ellipse (2-Step Available)
CCT	27K, 30K, 35K, 40K, D2W, TW
CRI	>90Ra
Adjustability	Max Tilt Angle 90°-180° / Horizontal Rotation Angle 355°
Dimming	Trimode Dimming / Triac / 0-10V (100%-1%)
Lamp Life	50,000Hr
Environment	IP20
Operating Temp	-4° F - 104° F

Ordering Code:

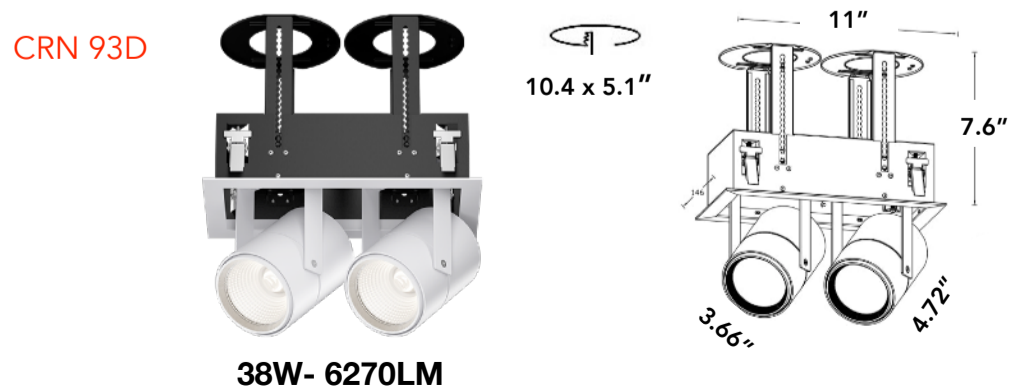
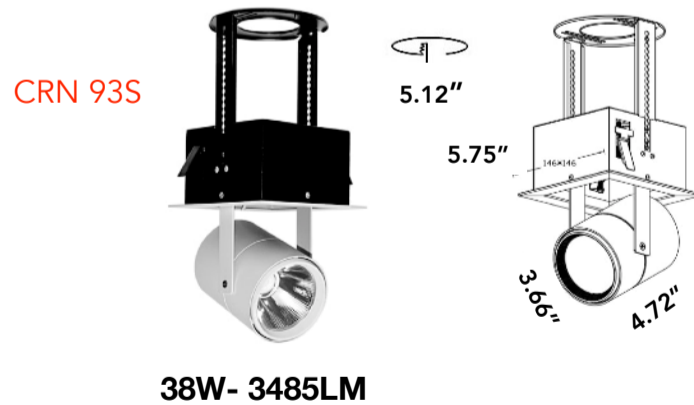
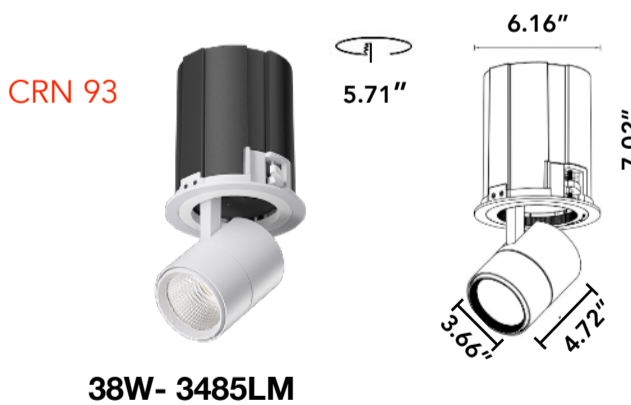
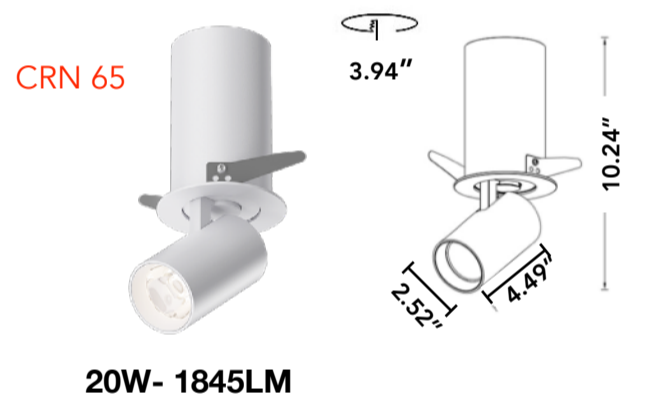
Series	Size	CCT	Optic	Finish	Installation Type	Driver	Emergency			
CRN	23 1.57" (3W)	27K 2700K	25* 25 Degree	WH White	NC New Construction	ELV ELV/TRIAC Phase Cutting 3% D10 0/1-10V (100% - 1%) DAL DALI-2 Dim to off 0.1% P01 Premium Driver 0.1% LOG	EM4 4 watts / 90 mins EM10 10 watts / 90 mins			
	35 2.17" (5W)	30K 3000K	18 24 degree	BL Black						
	50 2.95" (12W)	35K 3500K	24 36 degree							
	65 3.95" (20W)	40K 4000K	38 38 degree							
	93 5.70" (38W)	WD Warm Dim	60 60 degree							
	93S 5.70" (38W)	TW Tunable White								
	93D 4.72" (38W*2)									
			<i>*CRN 23 & 35 is only available with 25° optic</i>							



CRANE

BINA COMPANY

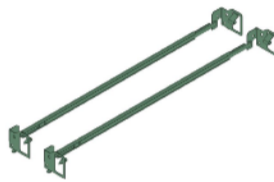
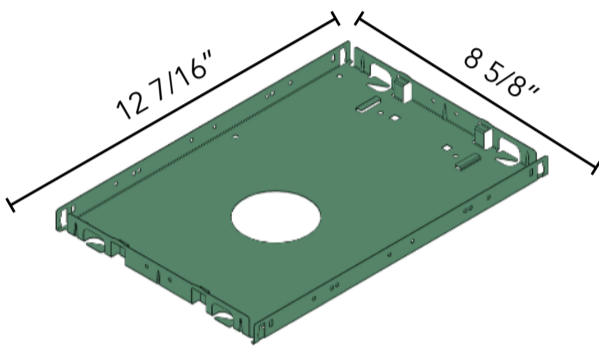
SPECIFICATIONS



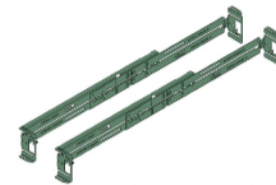


Mounting Options

NC - New Construction Frame-In Tray



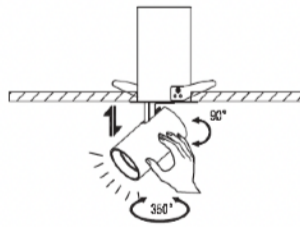
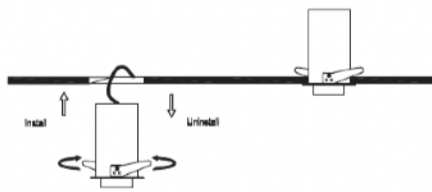
Standard bar hanger (included)
Mounting Length 14 3/4" - 26".
Extension kit can be ordered separately.



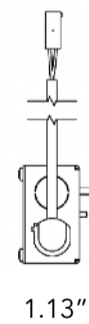
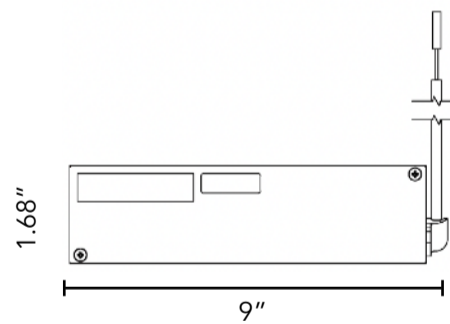
Commercial bar hanger #1487
Butterfly and Caterpillar brackets available



New Construction/Remodel Mounting



LED Driver Enclosure and Junction Box





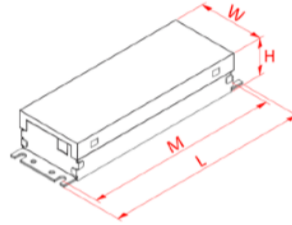
Emergency Backup

Primary Specifications:

Output Power Max	Input Power	Input Current Max	Emergency Operating Time	Battery	Input Voltage	Output Voltage	Ambient Operating Temperature	UL Listed for US and Canada
4 W	4 W	60 mA	90 min.	LiFePO ₄ 24 Hour recharge 7 to 10 year Life expectancy	120-277 Vac 50/60Hz	12-55 V ¹	0 °C through 55 °C	UL and cUL (UL924) Emergency LED Driver

Dimensions / Weight

Length	5.3"	Height	1.0"
Width	1.7"	Mounting Length	5.4"
Weight	0.66 lb		



REMOTE TEST SWITCH

The Remote Test Switch may be mounted adjacent to the LED Fixture by others.

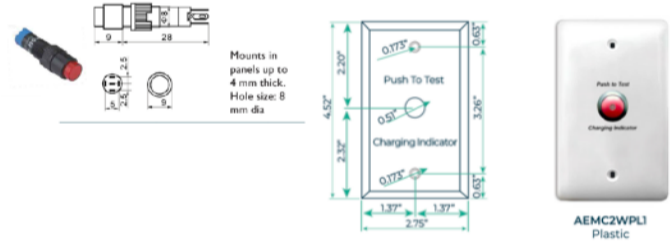
EMERGENCY BATTERY ACCESS

Above ceiling access is recommended for ease of service, but LED Fixture Sizes of 4" and Larger are capable of below ceiling access. IC/ICAT/CP Box and ITS option require an access panel in the ceiling (or other form of access) adjacent to the installation location of the Emergency Battery.

REMOTE LOCATION

Maximum remote mounting distance of the emergency driver shall be 50 feet. Remote location wiring provided by others. Follow all Local and National Electric/ Building Codes.

WALL PLATE ACCESSORIES



Primary Specifications:

Output Power Max	Input Power	Input Current Max	Emergency Operating Time	Battery	Input Voltage	Output Voltage	Ambient Operating Temperature	UL Listed for US and Canada
10 W	4 W	60 mA	90 min.	LiFePO ₄ 24 Hour recharge 7 to 10 year Life expectancy	120-277 Vac 50/60Hz	15-55 V ¹	0 °C through 55 °C	UL and cUL (UL924) Emergency LED Driver

Dimensions / Weight

Length	9.5"	Height	1.2"
Width	1.7"	Mounting Length	8.9"
Weight	2.09 lb		

