

PROJECT:

TYPE:

QTY:

# CH-STD-C-1616S



Features: A Small, versatile, streamlined extrusion profile perfect for direct and indirect lighting applications.

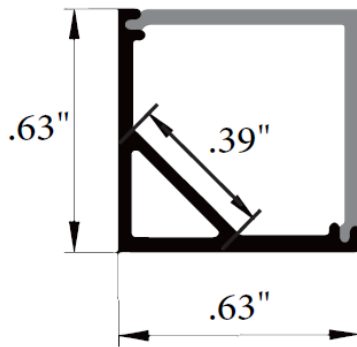
Compatible with our dry LED product and some wet options.

Mounting options: Direct Mount, Standard clips

Finish Options: Silver (SV), Black (BK), White (WH), with custom RAL finishes available upon request.

Lens Options: Clear, Frosted, Diffused.

## SPECIFICATIONS



### Ordering Code:

Series	Finish	Mounting	Lens	Channel Length
CH-STD-C-1616S	<b>SV</b> Silver <b>BK</b> Black <b>WH</b> White <b>RAL#</b> Custom Finish	<b>DM</b> Direct Mount <b>CP</b> Clips	<b>CL</b> Clear <b>FR</b> Frosted <b>DF</b> Diffused	<b>UC</b> Uncut (98.43") <b>CT</b> Cut (2"-98.43")

Ordering Code Example: CH-STD-C-1616S-SV-DM-CL-UC

