

A~CYLINDER



IP65 Wall Series



FEATURES

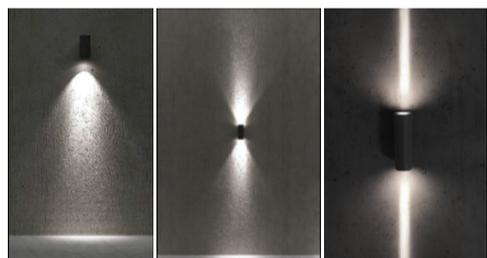
A-Cylinder's housing is constructed using a powder-coated extruded aluminum alloy, which increases its durability when compared to typical die-cast cylinders.

The fixture is J- box mountable for simple installation and comes with an IP rating of 65 and IK rating of 10.

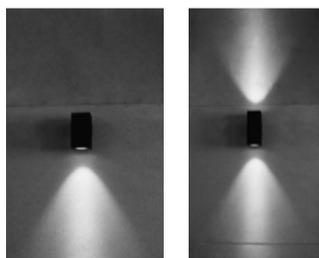
A-Cylinder is available in both single LED (DN) or double LED (UD) options and offers several CCT selections, with various beam spreads.

Available in four standard finishes (Custom RAL available upon request) and an optional marine-grade coating for extra protection in coastal environments.

SPECIFICATIONS



Down Up / Down Up / Down
Narrow Beam 6D



Down Up / Down

Input Voltage	100-277V AC
CRI	>90Ra
UGR	<12
Dimming	Trial / 0-10v (100%-5%)
Lamp Life	50,000Hr
Environment	IP65
IK Rating	IK10
Operating Temp	-4° F - 104° F

ORDER CODE (Example): **ACYL - W - R3 - DN65 - 15D27K - WH - D10**

Series	Size	Mounting	IP	Beam Options	CCT	Finish	Dimming	
ACYL-W	R3	3.1"	DN - Down (Single Side)	R3	15D 24D 38D 60D	27K - 2700K	WH White 9003 BK Black 9005 SG Silver Grey 9022 DG Dark Grey 7037	D10 - 0-10V DTR - Triac/Phase
	R4	3.9"		UD - Up/Down (Double Side)	R4	6D 12D 22D 35D 55D		
	R5	5.5"	R5		10D 22D 38D	35K - 3500K		
	SQ	3.9"	SQ	12D 18D 32D	40K - 4000K			



~CYLINDER



IP65 Wall Series

R5DN



25W / 2967LM

R4DN



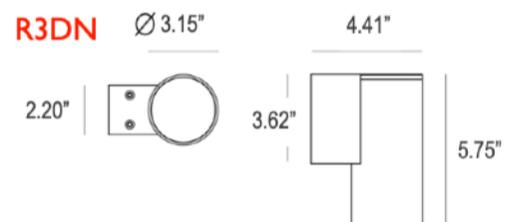
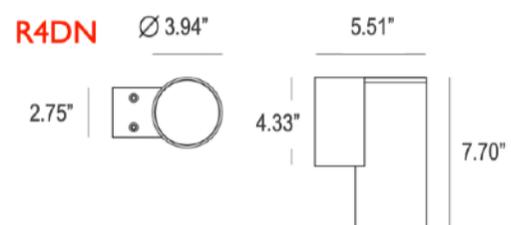
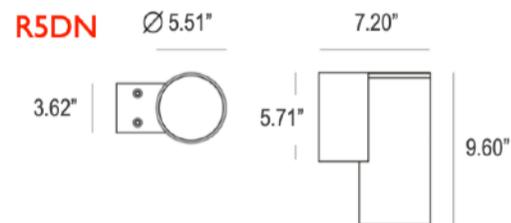
18W / 1847LM

R3DN



10W / 1170LM

LUMENS BASED ON 3000K / 24D/22D



R5UD



2*18W / 2036LM*2

R4UD



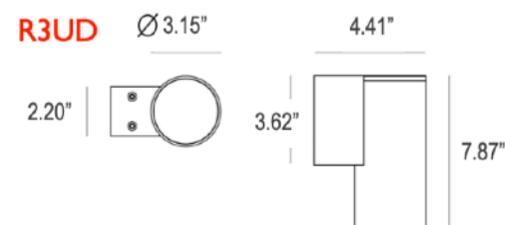
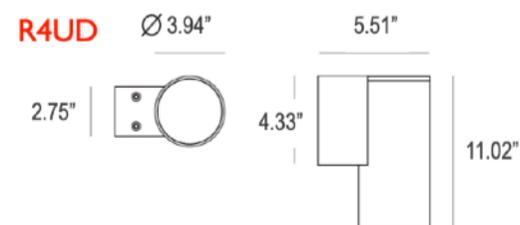
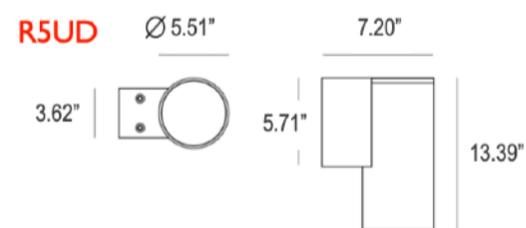
2*12W / 1079LM*2

R3UD



2*8W / 986LM*2

LUMENS BASED ON 3000K / 24D/22D



Λ~CYLINDER



IP65 Wall Series

SQUD



2*12W / 1251LM*2

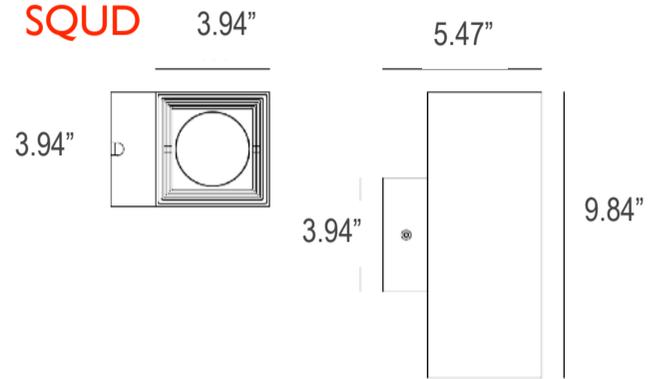
SQDN



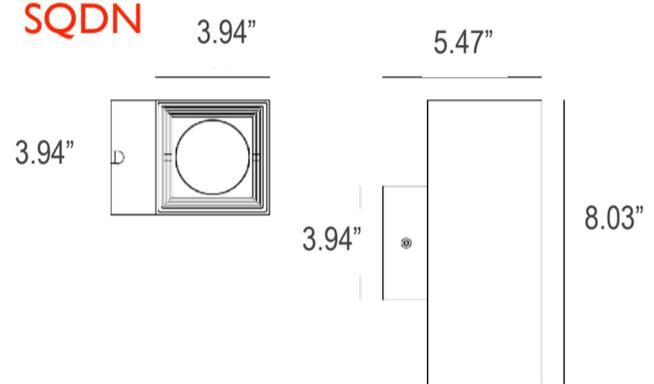
18W / 1705LM

LUMENS BASED ON 3000K / 18D

SQUD



SQDN



FINISHES

