

~CYLINDER GLASS



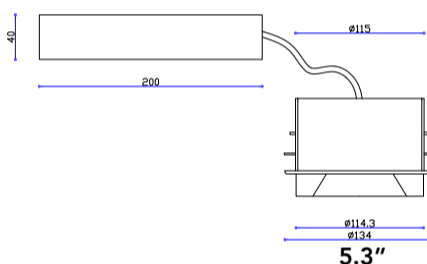
A contemporary version of standard cylinder featuring a glass bottom that glows when illuminated.

Available in semi-recessed and surface mount
IP20, IP54 and IP65 rated.

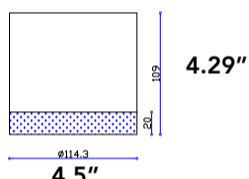
Offered in a 9W and 13W option in the Semi Recessed, and a 9W and 35W option in the Surface Mount.

SPECIFICATIONS

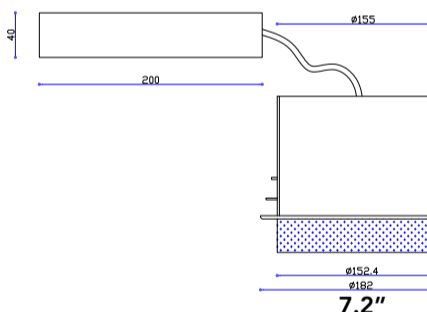
Semi Recessed (9W)



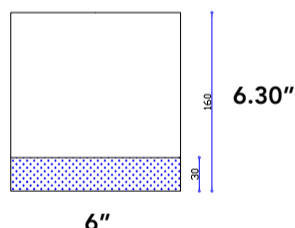
Surface Mount (9W)



Semi Recessed (13W)



Surface Mount (35W)



Input Voltage	100-277V AC
LED	<3-Step MacAdam Ellipse (2-Step Available)
CCT	27K, 30K, 35K, 40K, D2W, TW
CRI	>90Ra
Dimming	Trimode Dimming / Triac / 0-10V (100%-1%)
Lamp Life	50,000Hr
Environment	IP20/IP54/IP65
Operating Temp	-4° F - 104° F

Semi Recessed



Ordering Code:

Series	Size	Mounting	IP	Optic	CCT	Finish	Dimming
ACYL-GL	09 -- 675Lm	RC -- Semi Recessed	20 - IP20	36 36 Degree	27K - 2700K	WH - White BL - Black GR - Gray	10 - 0-10V TR - Triac/Phase
	13 -- 910Lm ¹	SF -- Surface Mount	54 - IP54		30K - 3000K		
	35 -- 2450Lm ²		65 - IP65		35K - 3500K 40K - 4000K		

¹RC only

²SF only

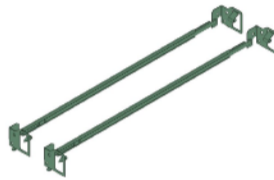
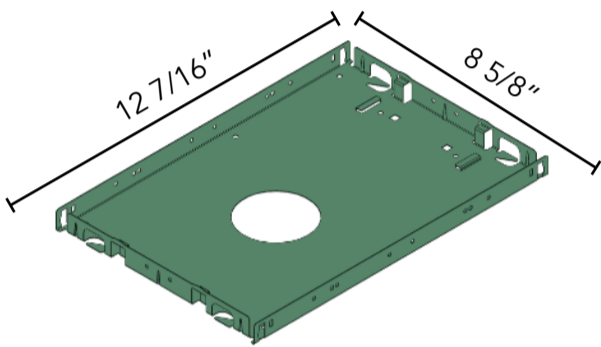


~CYLINDER GLASS

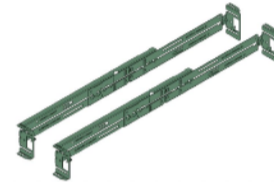


Mounting Options

Mounting Tray for the Semi Recessed



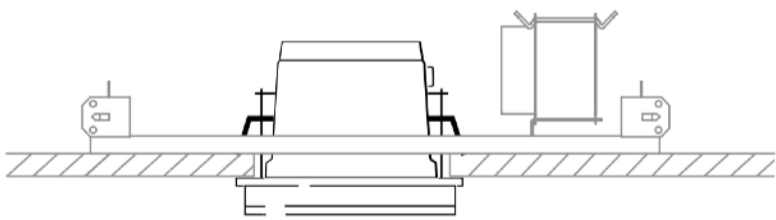
Standard bar hanger (included)
Mounting Length 14 3/4" - 26".
Extension kit can be ordered separately.



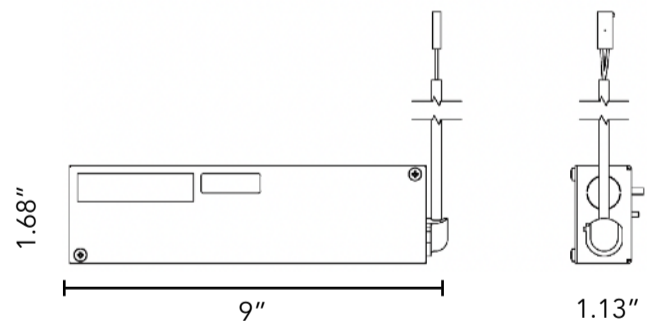
Commercial bar hanger #1487
Butterfly and Caterpillar brackets available



New Construction/Remodel Mounting



LED Driver Enclosure and Junction Box



PROJECT:

TYPE:

QTY:

~CYLINDER GLASS



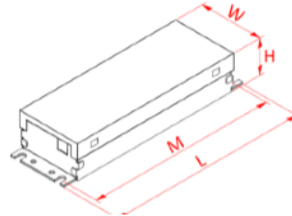
Emergency Backup

Primary Specifications:

Output Power Max	Input Power	Input Current Max	Emergency Operating Time	Battery	Input Voltage	Output Voltage	Ambient Operating Temperature	UL Listed for US and Canada
4 W	4 W	60 mA	90 min.	LiFePO ₄ 24 Hour recharge 7 to 10 year Life expectancy	120-277 Vac 50/60Hz	12-55 V ¹	0 °C through 55 °C	UL and cUL (UL924) Emergency LED Driver

Dimensions / Weight

Length	5.3"	Height	1.0"
Width	1.7"	Mounting Length	5.4"
Weight	0.66 lb		



REMOTE TEST SWITCH

The Remote Test Switch may be mounted adjacent to the LED Fixture by others.

EMERGENCY BATTERY ACCESS

Above ceiling access is recommended for ease of service, but LED Fixture Sizes of 4" and Larger are capable of below ceiling access. IC/ICAT/CP Box and ITS option require an access panel in the ceiling (or other form of access) adjacent to the installation location of the Emergency Battery.

REMOTE LOCATION

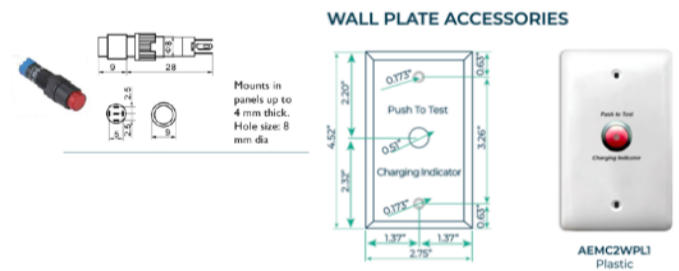
Maximum remote mounting distance of the emergency driver shall be 50 feet. Remote location wiring provided by others. Follow all Local and National Electric/ Building Codes.

Primary Specifications:

Output Power Max	Input Power	Input Current Max	Emergency Operating Time	Battery	Input Voltage	Output Voltage	Ambient Operating Temperature	UL Listed for US and Canada
4 W	4 W	60 mA	90 min.	LiFePO ₄ 24 Hour recharge 7 to 10 year Life expectancy	120-277 Vac 50/60Hz	12-55 V ¹	0 °C through 55 °C	UL and cUL (UL924) Emergency LED Driver

Dimensions / Weight

Length	5.3"	Height	1.0"
Width	1.7"	Mounting Length	5.4"
Weight	0.66 lb		



Primary Specifications:

Output Power Max	Input Power	Input Current Max	Emergency Operating Time	Battery	Input Voltage	Output Voltage	Ambient Operating Temperature	UL Listed for US and Canada
10 W	4 W	60 mA	90 min.	LiFePO ₄ 24 Hour recharge 7 to 10 year Life expectancy	120-277 Vac 50/60Hz	15-55 V ¹	0 °C through 55 °C	UL and cUL (UL924) Emergency LED Driver

Dimensions / Weight

Length	9.5"	Height	1.2"
Width	1.7"	Mounting Length	8.9"
Weight	2.09 lb		

